

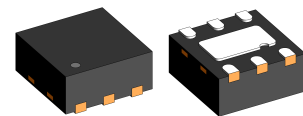
FEATURES

- ◆ Configurable high-side, low-side and push-pull operation
- ◆ Current limited output (< 450 mA)
- ◆ Active reverse polarity protection
- ◆ 150 mA output current
- ◆ 5 μ s input filter for spike suppression
- ◆ Wide supply voltage range from 8 to 30 V
- ◆ Driver shut-down with over temperature
- ◆ Integrated free-wheeling diode for inductive loads
- ◆ Sensor supply voltage output of 5 V, 10 mA

APPLICATIONS

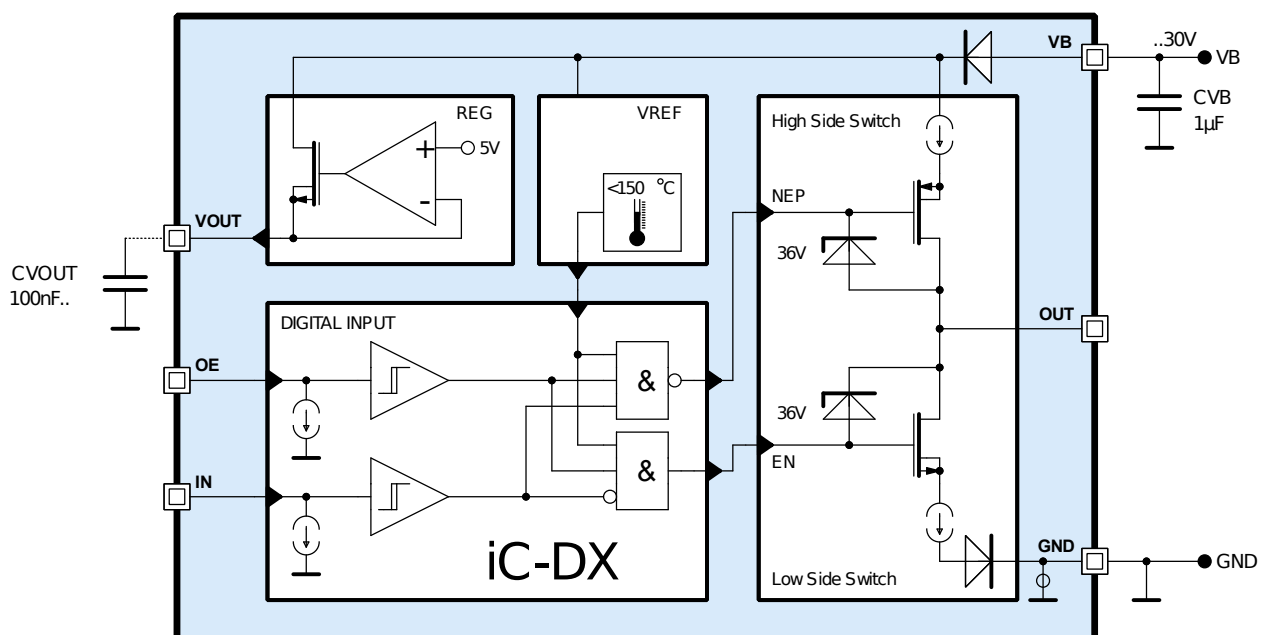
- ◆ Digital sensors
- ◆ Light barriers
- ◆ Proximity switches

PACKAGES



DFN6 2x2mm

BLOCK DIAGRAM



iC-DX

UNIVERSAL DIGITAL SENSOR OUTPUT DRIVER



Rev D1, Page 2/10

DESCRIPTION

The iC-DX is a monolithic switch capable of driving ohmic, inductive and capacitive loads and features integrated reverse polarity protection. The supply voltage V_B of the device can range from 8 to 30 V.

Output source/sink-current is at least 150 mA, with saturation voltages of 2 V max.

With input OE on high level state, the output works as a push-pull stage under control of pin IN. If pin IN is set either to high or low level, the output acts as

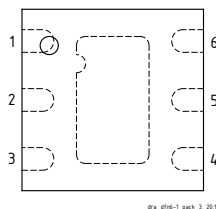
a high-side (PNP) or low-side (NPN) driver which is activated by a high logic level on input OE.

Output transitions are slew-rate limited to minimize interference on lines. The output is current limited to 450 mA maximum and short circuit protected by shutting down the device with excessive temperature.

A regulated 5V supply which can be loaded up to 10 mA is available at pin VOUT.

PACKAGING INFORMATION DFN6 2x2

PIN CONFIGURATION



PIN FUNCTIONS

No. Name Function

1	VOUT	Regulated +5 V Voltage
2	GND	Ground
3	IN	Input
4	OE	Output Enabled
5	OUT	Driver Output
6	VB	Supply Voltage

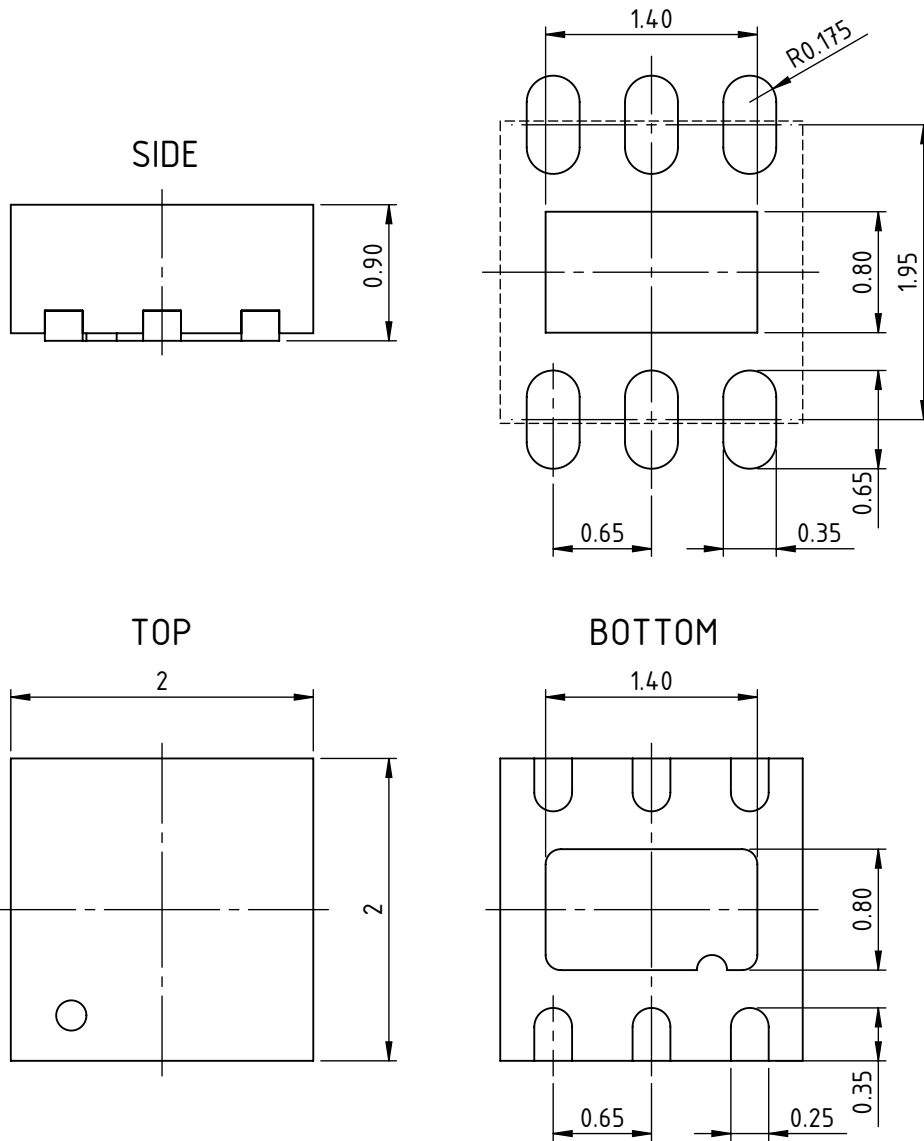
The *Thermal Pad* is to be connected to a Ground Plane (GND) on the PCB.

Only pin 1 marking on top or bottom defines the package orientation (top label and coding is subject to change).

PACKAGE DIMENSIONS DFN6 2x2

All dimensions given in mm.

RECOMMENDED PCB-FOOTPRINT



ABSOLUTE MAXIMUM RATINGS

Beyond these values damage may occur; device operation is not guaranteed.

Item No.	Symbol	Parameter	Conditions	Min. Max.		Unit
				Min.	Max.	
G001	VB	Supply Voltage	Referenced to lowest voltage of GND, OUT Referenced to highest voltage of GND, OUT	-36	36	V V
G002	OUT	OUT Voltage	Referenced to lowest voltage of VB, GND Referenced to highest voltage of GND, OUT	-36	36	V V
G003	GND	GND Voltage	Referenced to lowest voltage of VB, OUT Referenced to highest voltage of GND, OUT	-36	36	V V
G004	Es()	Maximum Surge Energy as indication for external protection design	Single pulse test between each pins of VB, OUT or GND. Pulse magnitude less than 55 V, duration less than 100 μ s		6.5	mJ
G005	V()	Voltage at IN, OE		-0.3	7	V
G006	Tj	Junction Temperature		-40	150	$^{\circ}$ C
G007	Ts	Storage Temperature		-40	150	$^{\circ}$ C
G008	Vd()	ESD Susceptibility	HBM, 100 pF discharged through 1.5 k Ω		2	kV

THERMAL DATA

Operating Conditions: VB = 8..30 V

Item No.	Symbol	Parameter	Conditions	Min. Typ. Max.			Unit
				Min.	Typ.	Max.	
T01	Ta	Operating Ambient Temperature Range	no thermal shutdown	-40		+150	$^{\circ}$ C
T02	Rthja	Thermal Resistance Chip to Ambient	iC-DX surface mounted on evaluation board DX1M		130		K/W

All voltages are referenced to ground unless otherwise stated.

All currents flowing into the device pins are positive; all currents flowing out of the device pins are negative.

ELECTRICAL CHARACTERISTICS

Operating Conditions: $V_B = 8..30\text{ V}$, $T_j = -40..120^\circ\text{C}$, unless otherwise stated

Item No.	Symbol	Parameter	Conditions				Unit
				Min.	Typ.	Max.	
General							
001	$V_c(\text{lo})$	Clamp Voltage I_o at IN, OE, VOUT	$I() = -1\text{ mA}$	-1.4			V
002	V_B	Permissible Supply Voltage	Referenced to GND	8	24	30	V
003	$I(V_B)$	Supply Current in V_B	no load, IN = lo, OE = lo IN = lo, OE = hi IN = hi, OE = hi			0.9 1.2 1.5	mA mA mA
004	$V(V_B)_{\text{on}}$	Turn-on threshold	increasing V_B	6		8	V
005	$I_{\text{lk}}(\text{GND})_{\text{rp}}$	Reverse Polarity Leakage Current	$V(V_B) = 0$; $V(\text{OUT}) = 0$; $V(\text{GND}) = 0..30\text{ V}$			300	μA
006	$I_{\text{lk}}(\text{OUT})_{\text{rp}}$	Reverse Polarity Leakage Current	$V(V_B) = 0$; $V(\text{GND}) = 0$; $V(\text{OUT}) = 0..30\text{ V}$			300	μA
007	$I_{\text{lk}}(V_B)_{\text{rp}}$	Reverse Polarity Leakage Current	$V(\text{OUT}) = 0$; GND open; ; $V(V_B) = 0..30\text{ V}$			300	μA
Output characteristics							
101	$V_s(\text{OUT})_{\text{lo}}$	Saturation voltage Low-Side driver	IN = lo, OE = hi $I(\text{OUT}) = 10\text{ mA}$ $I(\text{OUT}) = 100\text{ mA}$ $I(\text{OUT}) = 150\text{ mA}$		0.2	1.5 2	V V V
102	$V_s(\text{OUT})_{\text{hi}}$	Saturation voltage High-Side driver	IN = hi, OE = hi $I(\text{OUT}) = -10\text{ mA}$ $I(\text{OUT}) = -100\text{ mA}$ $I(\text{OUT}) = -150\text{ mA}$	-1.5 -2	-0.3		V V V
103	$I_{\text{sc}}(\text{lo})$	Short-Circuit Current I_o in OUT	$V(\text{OUT}) = 3\text{ V}..V_B$	150		450	mA
104	$I_{\text{sc}}(\text{hi})$	Short-Circuit Current I_i in OUT	$V() = 0..V_B - 3\text{ V}$	-450		-150	mA
105	$I_{\text{lk}}()$	Leakage Current at OUT	OUTPUT Disabled $V(\text{OUT}) = -6..0\text{ V}$ $V(\text{OUT}) = 0\text{ V}..V_B$ $V(\text{OUT}) > V_B..30\text{ V}$	-100 -40 0		0 40 100	μA μA μA
106	$SR()$	Slew Rate (switch off \rightarrow on, switch on \rightarrow off)	$V_B = 30\text{ V}$, $C_I = 2.2\text{ nF}$, $I(\text{OUT}) = 0$			40	V/ μs
107	$V_{\text{fw}}(\text{OUT})_{\text{lo}}$	Freewheeling Voltage	$I(\text{OUT}) = -1\text{ mA}$, with reference to V_B	-52		-36	V
108	$V_{\text{fw}}(\text{OUT})_{\text{hi}}$	Freewheeling Voltage	$I(\text{OUT}) = 1\text{ mA}$, with reference to GND	36		52	V
Temperature monitor							
201	T_{off}	Overtemperature shutdown	increasing T_j	151		198	$^\circ\text{C}$
202	T_{on}	Overtemperature Release	decreasing T_j	150		197	$^\circ\text{C}$
203	T_{hys}	Thermal Shutdown Hysteresis			5		$^\circ\text{C}$
Inputs OE, IN							
301	$V_t(\text{hi})$	Input Threshold Voltage hi at IN, OE				2	V
302	$V_t(\text{lo})$	Input Threshold Voltage lo at IN, OE		0.8			V
303	$V_t(\text{hys})$	Hysteresis at IN, OE	$V_t(\text{hys}) = V_t(\text{hi}) - V_t(\text{lo})$	200			mV
304	$I_{\text{pd}}()$	Pull-Down Current at IN, OE	$V() > 0.4\text{ V}$	2		150	μA
305	t_{pio}	Propagation Delay IN, OE \rightarrow OUT		2.1		6.5	μs
306	$t_{\text{sup}}()$	Permissible Spurious Pulse Width at IN, OE				1.6	μs
307	$t_{\text{trig}}()$	Required Pulse Width at IN, OE		4			μs
Series regulator output VOUT							
401	$V(\text{VOUT})$	Regulated output voltage	$V_B = 9..30\text{ V}$, $I(\text{VOUT}) = 10..0\text{ mA}$ $V_B = 8..9\text{ V}$, $I(\text{VOUT}) = 10..0\text{ mA}$	4.7 4.5		5.3 5.3	V V
402	$C(\text{VOUT})$	Capacitor at VOUT	$I(\text{VOUT}) = 0$ $I(\text{VOUT}) > 0$	0 0.1		10 10	μF μF
403	$I_{\text{sc}}(\text{VOUT})$	Short circuit current at VOUT	VOUT connected to GND			-125	mA

DESCRIPTION OF FUNCTIONS

iC-DX is a current limited switching channel which enables digital sensors to drive peripheral elements. They are designed to cope with high driver currents. The switches are reverse-polarity protected, feature a free-wheeling circuit for inductive loads, and a current limited output.

Reverse polarity protection

The pins VB, OUT and GND on the *line side* of the chip are reverse polarity protected. As far as the maximum voltage ratings are not exceeded, no possible supply combination at the *line side* pins can damage the chip.

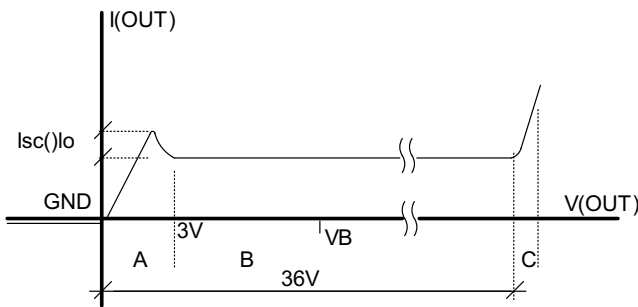


Figure 1: OUT characteristic when Low side active

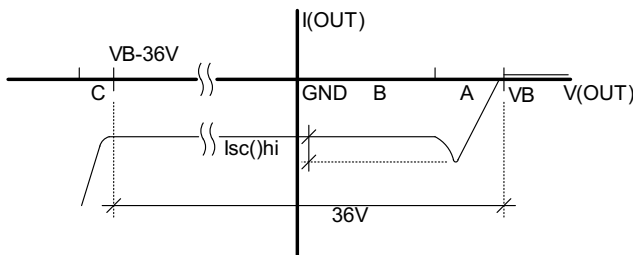


Figure 2: OUT characteristic when high side active

Output characteristics of OUT

The switching channel is current limited to a value between 150mA and 450mA. (cf. Electrical Characteristics Nos. 103, 104). The current limitation works only for voltages higher than 3V at OUT resp. lower than $V_{BO} - 3V$. For smaller output voltages the current limitation is reduced in order to minimize the saturation voltages without increasing the power dissipation. Figures 1 and 2 show the characteristic of the switching channels when activated. Region "A" is the saturation range, where the current limitation is not fully active yet and region "B" is the current limited range. Region "C" corresponds to the free-wheeling circuit activated. The switching channel is designed so that the low side can only sink current and high side can only source current (no reverse current).

Free-wheeling circuit for inductive loads

The free-wheeling circuit is always present and does not depend on the current output status. It is activated by voltages higher than 36V at OUT referenced to GND or lower than -36V at OUT referenced to VB. In that case the correspondent channel will switch on without current limitation (see Figure 3).

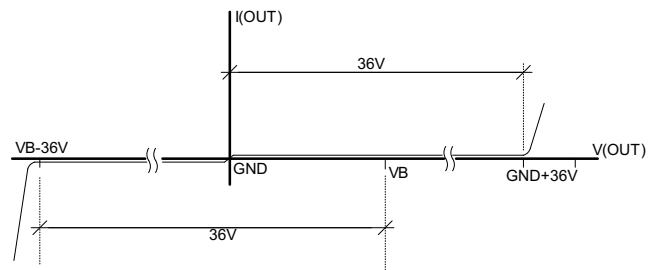


Figure 3: Free-wheeling characteristic

OPERATION MODES

The iC-DX can be operated in High-Side (PNP-Switch), Low-Side (NPN-Switch) and Push-Pull switch mode. Figure 4 shows the high-side operation where IN pin must be kept high and the OE pin controls the switch. Figure 5 shows the low-side operation where IN pin must be kept low and the OE pin controls the switch. Figure 6 shows the push-pull operation where OE pin must be kept high and the IN pin controls the switch.

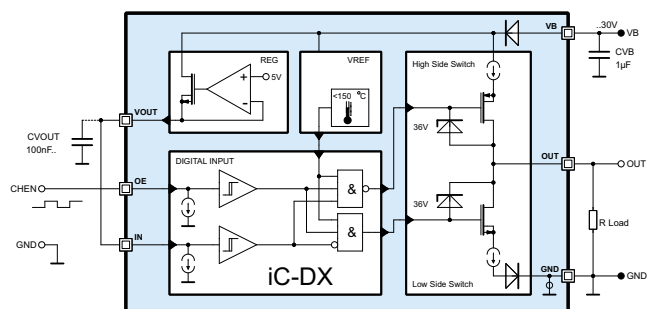


Figure 4: Configuration as High-Side (PNP-Switch)

Output Table. High-side mode (PNP-Switch)			
OE	IN	OUT	Mode
L	H	Z (L)	High-Side, passive pull down
H	H	H	High-Side, active pull up

Table 1: Output Function table Fig. 4. High-side mode (PNP-Switch) with external pull-down.

Output Table. Low-side mode (NPN-Switch)			
OE	IN	OUT	Mode
L	L	Z (H)	Low-Side, passive pull up
H	L	L	Low-Side, active pull down

Table 2: Output Function table Fig. 5. Low-side mode (NPN-Switch) with external pull-up.

Output Table. Push-Pull mode			
OE	IN	OUT	Mode
H	L	L	Push-Pull, active pull down
H	H	H	Push-Pull, active pull up

Table 3: Output Function table Fig. 6. Push-Pull mode

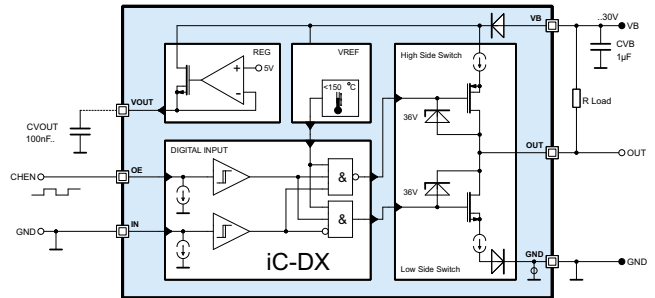


Figure 5: Configuration as Low-Side (NPN-Switch)

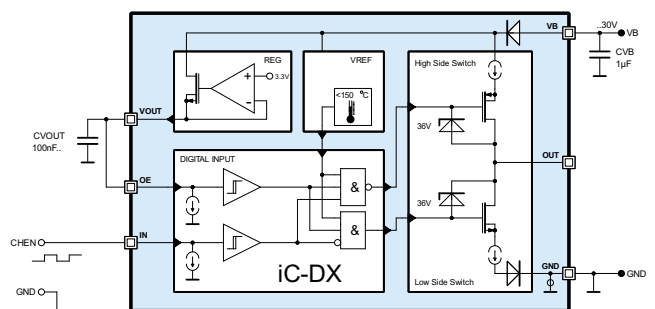


Figure 6: Configuration as Push-Pull

TIMING DESCRIPTION

The iC-DX has a built-in spurious pulse suppression that prevents short (undesired) pulses at the input pins from reaching the output.

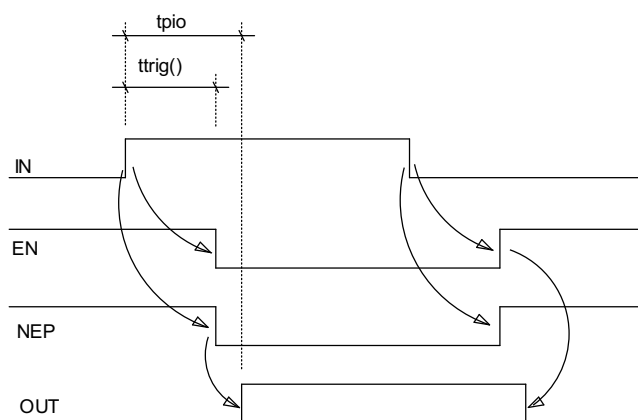


Figure 7: Timing diagram in push-pull operation mode

Every pulse at OE or IN pins shorter than 1.6 μs (cf. Electrical Characteristics No. 306) will be ignored and

the output will not react. The minimum required pulse length to be sure that the output reacts is 4 μs (cf. Electrical Characteristics No. 307). That means that every pulse longer than 4 μs will be propagated to the output but with an additional propagation delay of 1.2 μs maximum. The resulting maximum propagation delay is 5.2 μs (cf. Electrical Characteristics No. 305).

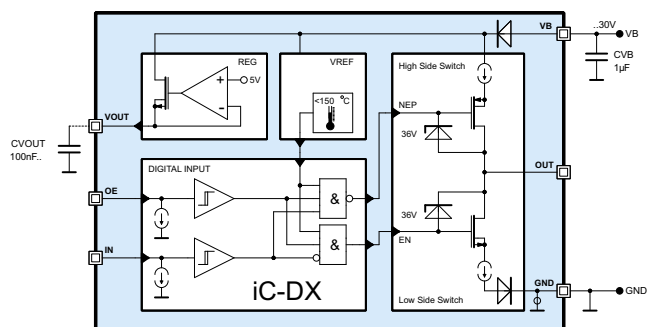


Figure 8: Block diagram with EN and NEP internal signals

CIRCUIT PROTECTION

The iC-DX is reverse polarity protected via internal circuitry. As far as the maximum voltage ratings are not exceeded, no possible supply combination at the line side pins (VB, GND and OUT) can damage the chip.

Since the chip current consumption is relatively low, discharging of the backup capacitor C1 can be very slow, and injected charge through disturbances may in general result in capacitor voltage exceeding maximum ratings, leading to malfunction or destruction of circuitry and associated parts. Thus EMC requirements will afford more external circuitry. Figure 9 shows the iC-DX with the additional protective device D1, D2 and D3.

For over-voltage protection, the suppressor diodes D1, D2 and D3 absorb transients on supply line injected externally on the cable. Clamp voltage of the diodes should be rated slightly above maximum specified supply voltage.

These currents can be passed to ground or to VB by the internal ESD diodes of the iC-DX. Whereas negative current injection will simply be drained off to ground, positive current injection will charge capacitor C1 further to higher voltages. If not suppressor diodes nor any other over-voltage protection is implemented, the

backup capacitor C1 should be kept small. A typical 100nF value is normally OK.

Suggested protective devices

Suppressor diodes with nominal breakdown voltage of max 36V have to be applied and proved in order to minimize the energy in iC-DX for higher voltages limited by item G004.

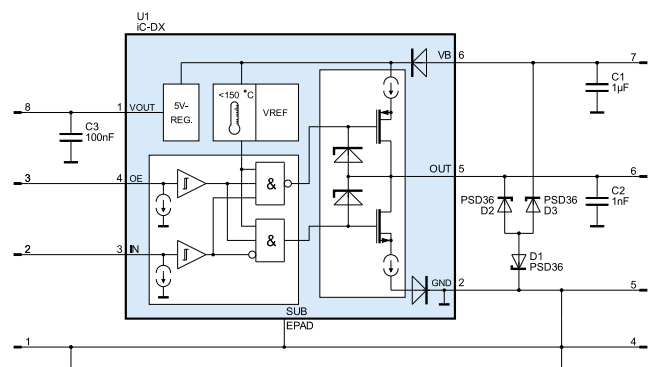


Figure 9: Circuit schematic showing protective devices

REVISION HISTORY

Rel.	Rel. Date*	Chapter	Modification	Page
A3	2011-04-28		preliminary release	
B1	2013-06-19	ABSOLUTE MAXIMUM RATINGS	Parameter G004 introduced	4
C1	2014-12-03		preliminary label on front page removed	1
		THERMAL DATA	parameter T02 value Rthja introduced	4
C2	2022-12-12	All	Block diagram blue coloured (front page, Figures 4,5,6,8,9)	1,6,7,8
		ELECTRICAL CHARACTERISTICS	Item 101, 102: Symbols corrected to VS(OUT)lo, VS(OUT)hi	5
		CIRCUIT PROTECTION	Section "Suggested protective devices" revised with respect to item G004	8
D1	2023-11-30	ELECTRICAL CHARACTERISTICS	item 107: min. value extended from -50 V to -52 V item 108: max. value extended from +50 V to +52 V	5

* Release Date format: YYYY-MM-DD

iC-DX

UNIVERSAL DIGITAL SENSOR OUTPUT DRIVER



Rev D1, Page 9/10

iC-Haus expressly reserves the right to change its products, specifications and related supplements (together the Documents). A Datasheet Update Notification (DUN) gives details as to any amendments and additions made to the relevant Documents on our internet website www.ichaus.com/DUN and is automatically generated and shall be sent to registered users by email.

Copying – even as an excerpt – is only permitted with iC-Haus' approval in writing and precise reference to source.

The data and predicted functionality is intended solely for the purpose of product description and shall represent the usual quality and behaviour of the product. In case the Documents contain obvious mistakes e.g. in writing or calculation, iC-Haus reserves the right to correct the Documents and no liability arises insofar that the Documents were from a third party view obviously not reliable. There shall be no claims based on defects as to quality and behaviour in cases of insignificant deviations from the Documents or in case of only minor impairment of usability.

No representations or warranties, either expressed or implied, of merchantability, fitness for a particular purpose or of any other nature are made hereunder with respect to information/specification resp. Documents or the products to which information refers and no guarantee with respect to compliance to the intended use is given. In particular, this also applies to the stated possible applications or areas of applications of the product.

iC-Haus products are not designed for and must not be used in connection with any applications where the failure of such products would reasonably be expected to result in significant personal injury or death (*Safety-Critical Applications*) without iC-Haus' specific written consent. Safety-Critical Applications include, without limitation, life support devices and systems. iC-Haus products are not designed nor intended for use in military or aerospace applications or environments or in automotive applications unless specifically designated for such use by iC-Haus.

iC-Haus conveys no patent, copyright, mask work right or other trade mark right to this product. iC-Haus assumes no liability for any patent and/or other trade mark rights of a third party resulting from processing or handling of the product and/or any other use of the product.

Software and its documentation is provided by iC-Haus GmbH or contributors "AS IS" and is subject to the ZVEI General Conditions for the Supply of Products and Services with iC-Haus amendments and the ZVEI Software clause with iC-Haus amendments (www.ichaus.com/EULA).

iC-DX

UNIVERSAL DIGITAL SENSOR OUTPUT DRIVER



Rev D1, Page 10/10

ORDERING INFORMATION

Type	Package	Order Designation
iC-DX	DFN6	iC-DX DFN6

Please send your purchase orders to our order handling team:

Fax: +49 (0) 61 35 - 92 92 - 692

E-Mail: dispo@ichaus.com

For technical support, information about prices and terms of delivery please contact:

**iC-Haus GmbH
Am Kuemmerling 18
D-55294 Bodenheim
GERMANY**

Tel.: +49 (0) 61 35 - 92 92 - 0

Fax: +49 (0) 61 35 - 92 92 - 192

Web: <https://www.ichaus.com>

E-Mail: sales@ichaus.com

Appointed local distributors: https://www.ichaus.com/sales_partners