

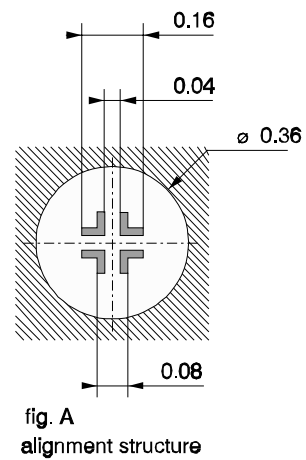
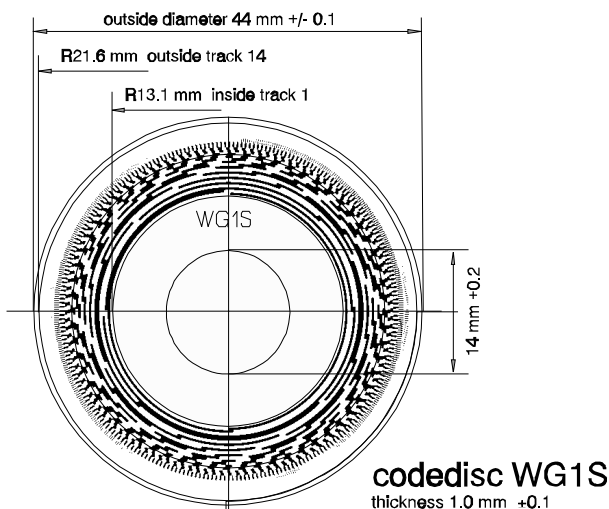
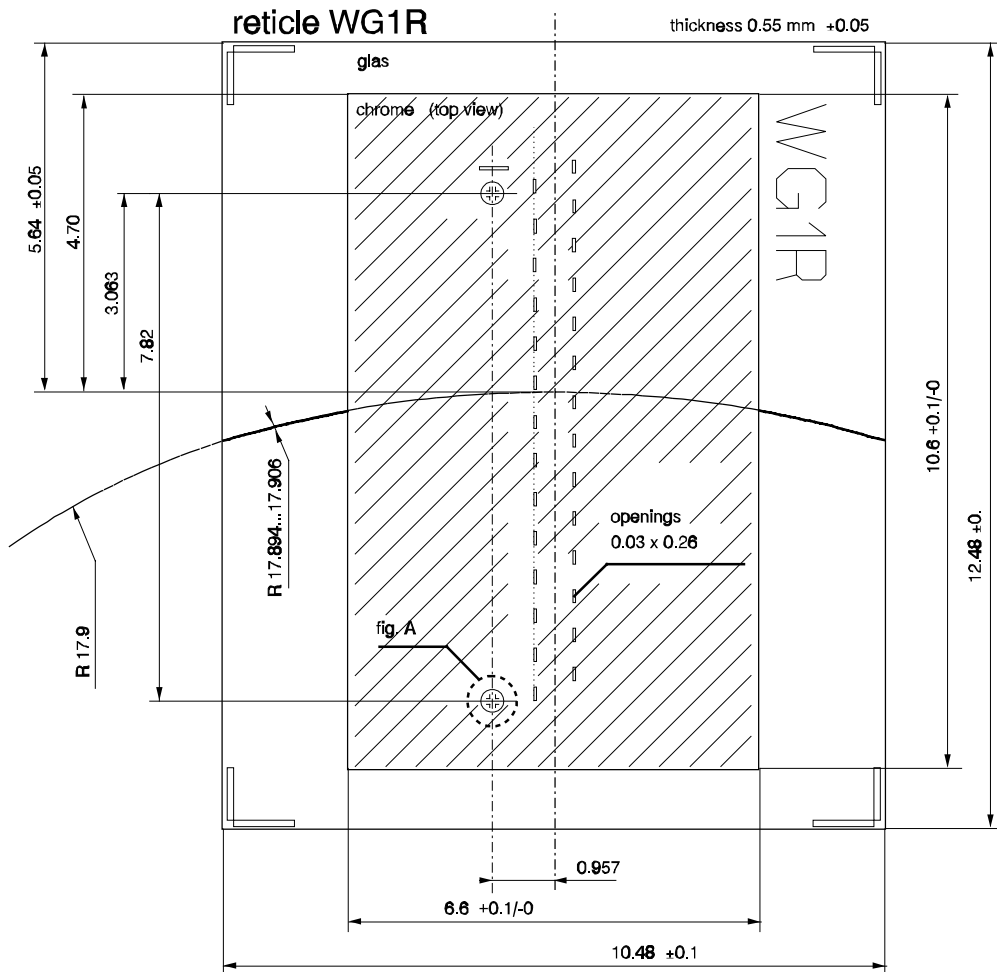
WG1R/WG1S

iC-WG RETICLE AND CODE DISC



PHYSICAL DIMENSIONS

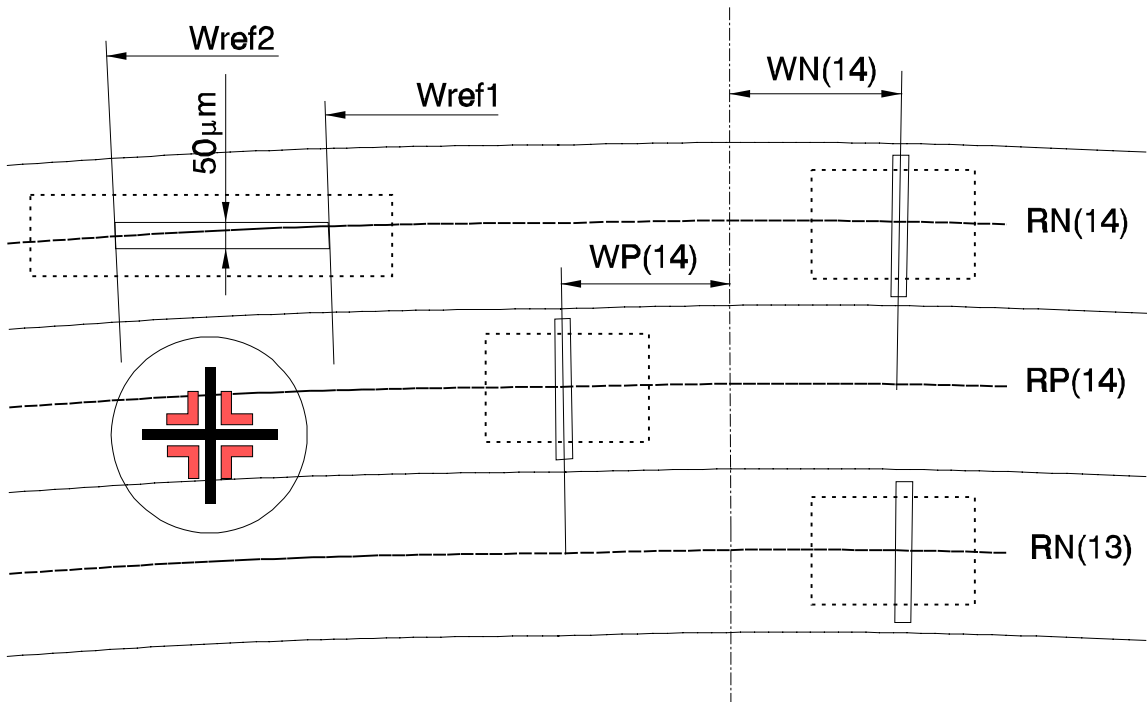
(given in mm)



TRACK SPACINGS

Track	PPR	RP(n) [mm]	RN(n) [mm]	Code
1	1	13.25	13.55	Gray code bit 1, MSB
2	1	13.85	14.15
3	2	14.45	14.75	
4	4	15.05	15.35	
5	8	15.65	15.95	
6	16	16.25	16.55	
7	32	16.85	17.15	
8	64	17.45	17.75	
9	128	18.05	18.35	
10	256	18.65	18.95	
11	512	19.25	19.55	
12	1024	19.85	20.15	
13	2048	20.45	20.75	Gray code bit 13, LSB (incremental signal A)
14	2048	21.05	21.35	bit 13 phase-shifted at 90° (incremental signal B)

APERTURES



$W_{ref1} = 1.9775391 \text{ DEG}$; as a result of $11.25 \times 360/2048$

$W_{ref2} = 3.0322266 \text{ DEG}$; as a result of $(11.25+6 \text{ periods}) \times 360/2048$

The LED current control must have a constant light signal (DC) as reference. Therefore, the opening for the reference photodiode must be an even numbered multiple of the impulse width of code track N14.