

# ECW

## ENCODER PRODUCTION UTILITY

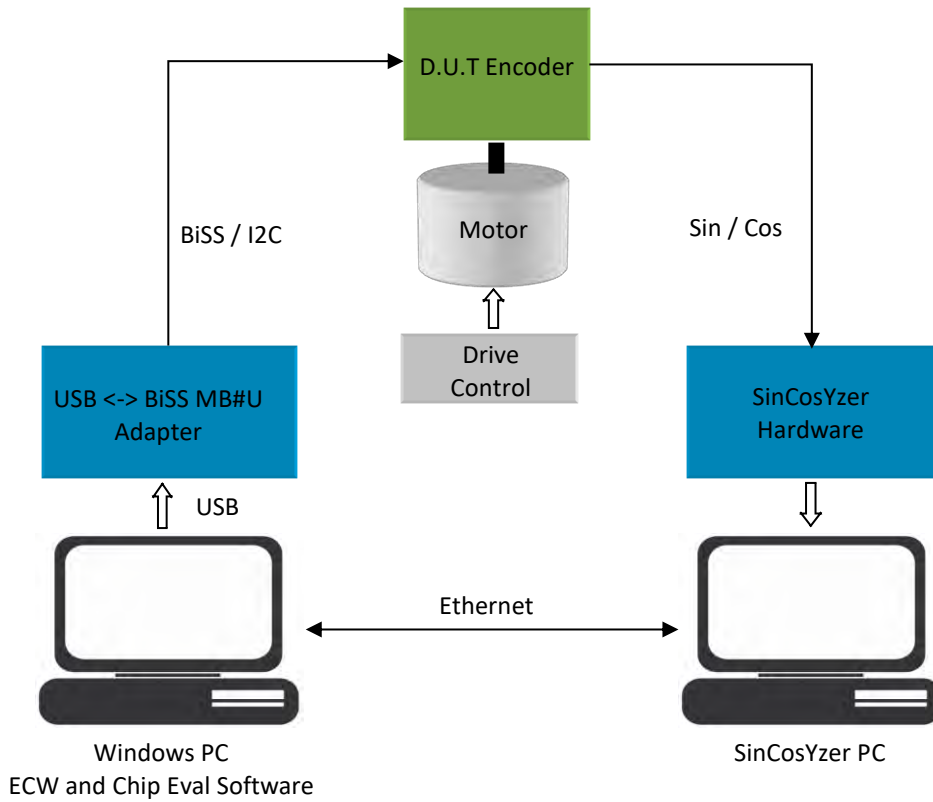
---

Automatic calibration and test of signal-conditioning ICs in encoder production

---



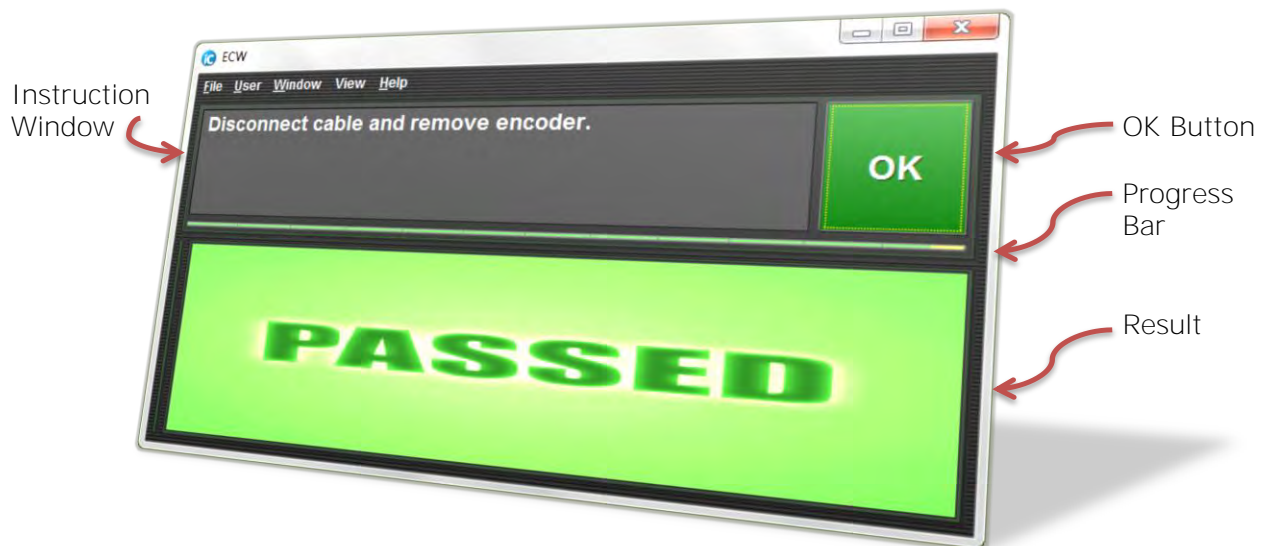
# Typical System Setup



# Using Engineering GUIs in Production?



## ECW Offers a Simple Workflow by Instructions



## Principle of Operation

- Instructs the user to operate switches and drive
- Starts with a default configuration
- Remote-controlled signal analysis by SinCosYzer
- Computes best settings and programs the **encoder's EEPROM**
- Encoder test with specified limits and classification (passed, failed)
- Database support, statistical analysis and user management included

# Engineering Configuration



## Features

- Software solution using a remote-controlled SinCosYzer for signal measurements
- Automatic encoder chip parameter adjustment
- Support for iC-MNF, iC-MN, iC-MH, iC-MSB, iC-MSA, iC-PI, iC-MQ
- Continuous testing against specified limits
- Passed / failed classification
- Built for use in production environments
- User guidance through the entire procedure
- Freely configurable user interface
- User account management
- MySQL database for all measurement results and configuration history
- Statistical evaluations
- Graphical signal analysis tools
- Limit and configuration editor
- Automatic or manual DUT switch and drive controlling
- Network interface for status and remote control

iC-Haus expressly reserves the right to change its products and/or specifications. An info letter gives details as to any amendments and additions made to the relevant current specifications on our internet website [www.ichaus.com/infoletter](http://www.ichaus.com/infoletter); this letter is generated automatically and shall be sent to registered users by email.

Copying – even as an excerpt – is only permitted with iC-Haus' approval in writing and precise reference to source.

iC-Haus does not warrant the accuracy, completeness or timeliness of the specification and does not assume liability for any errors or omissions in these materials.

The data specified is intended solely for the purpose of product description. No representations or warranties, either express or implied, of merchantability, fitness for a particular purpose or of any other nature are made hereunder with respect to information/specification or the products to which information refers and no guarantee with respect to compliance to the intended use is given. In particular, this also applies to the stated possible applications or areas of applications of the product.

iC-Haus conveys no patent, copyright, mask work right or other trade mark right to this product. iC-Haus assumes no liability for any patent and/or other trade mark rights of a third party resulting from processing or handling of the product and/or any other use of the product.