

iC-SD85 BLCC SD1C

Infrared LED



Rev B5, Page 1/6

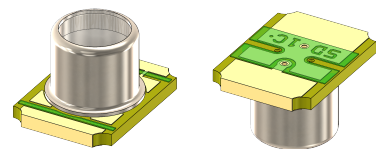
FEATURES

- ◆ Emission peak at 850 nm matched to silicon detectors and opto ICs
- ◆ Narrow irradiance pattern
- ◆ High temperature range -40 to 125 °C
- ◆ High switching speed
- ◆ Packages suitable for SMT mounting

APPLICATIONS

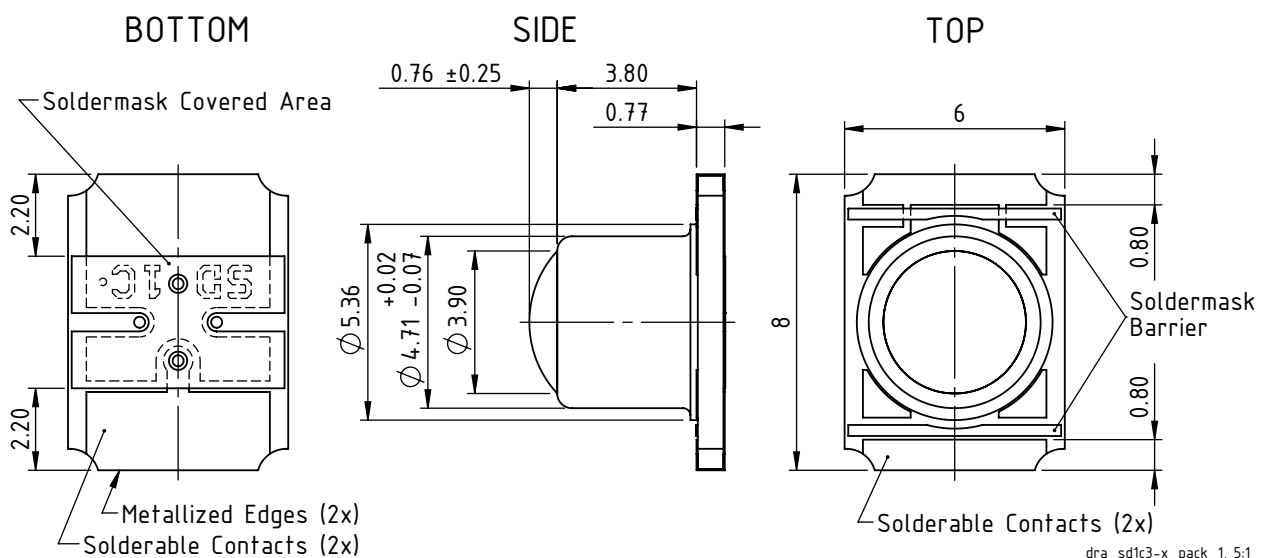
- ◆ Illumination for high resolution optical encoder
- ◆ Modulated light barriers

PACKAGE



BLCC SD1C

DIMENSIONS



iC-SD85 BLCC SD1C

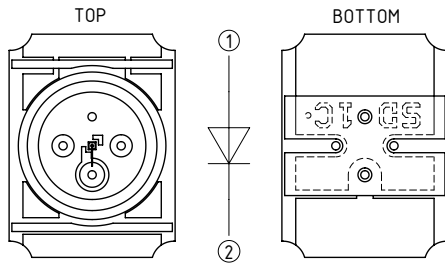
Infrared LED



Rev B5, Page 2/6

PACKAGING INFORMATION

PIN CONFIGURATION SD1C



PIN FUNCTIONS

No. Name Function

1	A	Anode
2	C	Cathode

ABSOLUTE MAXIMUM RATINGS

Beyond these values damage may occur (Ta = 25°C, unless otherwise noted)

Item No.	Symbol	Parameter	Conditions	Limits		Unit
				Min.	Max.	
G001	IF	Forward current (DC)			50	mA
G002	IFSM	Surge forward current	tp ≤ 10μs		1000	mA
G003	VR	Reverse voltage			5	V
G004	P	Power dissipation	Case temperature 25°C		150	mW

All voltages are referenced to ground unless otherwise stated.

All currents flowing into the device pins are positive; all currents flowing out of the device pins are negative.

iC-SD85 BLCC SD1C

Infrared LED



Rev B5, Page 3/6

THERMAL DATA

Item No.	Symbol	Parameter	Conditions				Unit
				Min.	Typ.	Max.	
T01	Ta	Operating Ambient Temperature Range		-40		125	°C
T02	Ts	Storage Temperature Range		-40		125	°C
T03	Tpk	Reflow Soldering Peak Temperature	Convection reflow: tpk < 20 s, MSL 1 (unlimited floor live at 30 °C and 60 % RH); Please refer to customer information file No. 7 for details. Not suitable for vapor phase soldering.			260	°C
T04	Rthja	Thermal Resistance Junction to Ambient			270		K/W

ELECTRICAL CHARACTERISTICS

Ta = 25 °C, unless otherwise noted

Item No.	Symbol	Parameter	Conditions				Unit
				Min.	Typ.	Max.	
Electrical and Optical Characteristics							
001	V _F	Forward Voltage	IF = 20 mA		1.4	1.8	V
002	V _R	Reverse Voltage	IR = 5 μA	5			V
003	φ _e	Radiant Power	IF = 20 mA	1.4	2.7		mW
004	TK(φ _e)	Temperature Coefficient of Radiant Power	IF = 20 mA, T _j = 25 °C...125 °C		-0.6		%/K
005	λ _p	Peak Wavelength	IF = 20 mA	830	850	870	nm
006	Δλ	Spectral Half Width	IF = 20 mA		30		nm
007	2φ	Divergence	IF = 20 mA		8		deg.
008	tr, tf	Switching Time	IF = 50 mA, RL = 50 Ω		12		ns

SAFETY ADVICES

Depending on the mode of operation, these devices emit highly concentrated non visible infrared light which can be hazardous to the human eye.

Products which incorporate these devices have to follow the safety precautions given in IEC 60825-1 and IEC 62471.

HANDLING ADVICES

Because of the specific housing materials and geometries used, these LED devices are sensitive to rough handling or assembly and can thus be easily damaged

or may fail in regard to their electro-optical operation. Excessive mechanical stress or load on the lens surface or to the glued cap must be avoided.

DESIGN REVIEW: Notes on chip characteristics

iC-SD85 / iC-SD85 Z			
No.	Chip Design	Function, Parameter/Code	Description and Application Hints
1	iC-SD85	initial chip release	see datasheet revision A1
2	iC-SD85 Z	Electrical Characteristics item 001 item 002 item 004	refined measurement condition changed min. / typ. values increased to 1.4 / 2.7 mW

Table 4: Notes on chip functions regarding iC-SD85 / iC-SD85 Z

iC-SD85 BLCC SD1C

Infrared LED



Rev B5, Page 5/6

REVISION HISTORY

Rel.	Rel. Date*	Chapter	Modification	Page
A1	11-02-25	...		

Rel.	Rel. Date*	Chapter	Modification	Page
B1	12-10-16	ELECTRICAL CHARACTERISTICS	Item 003 adapted	3

Rel.	Rel. Date*	Chapter	Modification	Page
B2	13-05-29	SAFETY ADVICES	Chapter supplemented	4

Rel.	Rel. Date*	Chapter	Modification	Page
B3	13-11-13	HANDLING ADVICES	Chapter supplemented	4

Rel.	Rel. Date*	Chapter	Modification	Page
B4	14-07-16	PACKAGE	BLCC package drawing	1
		PACKAGING INFORMATION	BLCC package drawing	2
		THERMAL DATA	Item T03 adapted	3
		REVISION HISTORY	Chapter supplemented	5
		ORDERING INFORMATION	Package information supplemented	6

Rel.	Rel. Date*	Chapter	Modification	Page
B5	21-01-21	PACKAGE	BLCC package drawing	1
		DIMENSIONS	BLCC package drawing	1
		PACKAGING INFORMATION	BLCC package drawing	2

iC-Haus expressly reserves the right to change its products, specifications and related supplements (together the Documents). A Datasheet Update Notification (DUN) gives details as to any amendments and additions made to the relevant Documents on our internet website www.ichaus.com/DUN and is automatically generated and shall be sent to registered users by email.

Copying – even as an excerpt – is only permitted with iC-Haus' approval in writing and precise reference to source.

The data and predicted functionality is intended solely for the purpose of product description and shall represent the usual quality and behaviour of the product. In case the Documents contain obvious mistakes e.g. in writing or calculation, iC-Haus reserves the right to correct the Documents and no liability arises insofar that the Documents were from a third party view obviously not reliable. There shall be no claims based on defects as to quality and behaviour in cases of insignificant deviations from the Documents or in case of only minor impairment of usability.

No representations or warranties, either expressed or implied, of merchantability, fitness for a particular purpose or of any other nature are made hereunder with respect to information/specification resp. Documents or the products to which information refers and no guarantee with respect to compliance to the intended use is given. In particular, this also applies to the stated possible applications or areas of applications of the product.

iC-Haus products are not designed for and must not be used in connection with any applications where the failure of such products would reasonably be expected to result in significant personal injury or death (*Safety-Critical Applications*) without iC-Haus' specific written consent. Safety-Critical Applications include, without limitation, life support devices and systems. iC-Haus products are not designed nor intended for use in military or aerospace applications or environments or in automotive applications unless specifically designated for such use by iC-Haus.

iC-Haus conveys no patent, copyright, mask work right or other trade mark right to this product. iC-Haus assumes no liability for any patent and/or other trade mark rights of a third party resulting from processing or handling of the product and/or any other use of the product.

Software and its documentation is provided by iC-Haus GmbH or contributors "AS IS" and is subject to the ZVEI General Conditions for the Supply of Products and Services with iC-Haus amendments and the ZVEI Software clause with iC-Haus amendments (www.ichaus.com/EULA).

* Release Date format: YYYY-MM-DD

iC-SD85 BLCC SD1C

Infrared LED



Rev B5, Page 6/6

ORDERING INFORMATION

Type	Package	Order Designation
iC-SD85	2-Pin BLCC, 8 mm x 6 mm, height 5.3 mm RoHS compliant	iC-SD85 BLCC SD1C

Please send your purchase orders to our order handling team:

Fax: +49 (0) 61 35 - 92 92 - 692

E-Mail: dispo@ichaus.com

For technical support, information about prices and terms of delivery please contact:

iC-Haus GmbH
Am Kuemmerling 18
D-55294 Bodenheim
GERMANY

Tel.: +49 (0) 61 35 - 92 92 - 0
Fax: +49 (0) 61 35 - 92 92 - 192
Web: <http://www.ichaus.com>
E-Mail: sales@ichaus.com

Appointed local distributors: http://www.ichaus.com/sales_partners