

# PZ05S 69-1024, iC-PZ205

## iC-PZ Encoder Disc and Code Description

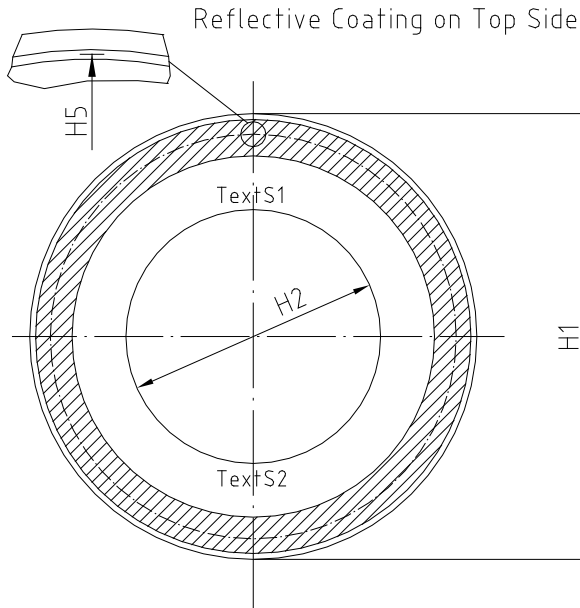


Rev A6, Page 1/2

### ORDERING INFORMATION

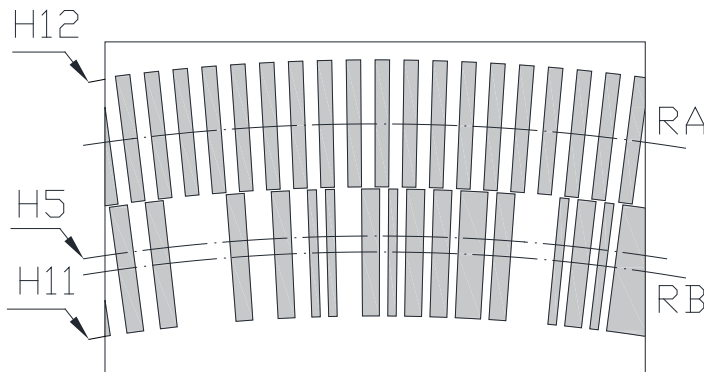
Type	Order Designation	Description/Options
Encoder Disc	PZ05S# 69-1024 (#: Material)	Code Disc 1024 PPR, dia 69,0 mm

### PHYSICAL DIMENSIONS: Code Disc



Item	Parameter	[mm]
H1	Outer Diameter	69,0
H2	Inner Diameter	38,0
H3	Thickness	t.b.d.
H5	Radius of Paddle Center (= Radius of Chip Center)	32,63
H6	Radius of Middle of AB Tracks	33,38
H9	Text S1	PZ05S
H10	Text S2	69-1024

### TRACK LAYOUT: Code Disc



Item	Parameter	[mm]
H5	Radius of Chip Center (referred to origin)	32,63
H11	Code Pattern Radius: Begin	31,58
H12	Code Pattern Radius: End	33,98
RA	Radius AB-Track (Disc)	33,38
RB	Radius Random-Track (Disc)	32,18



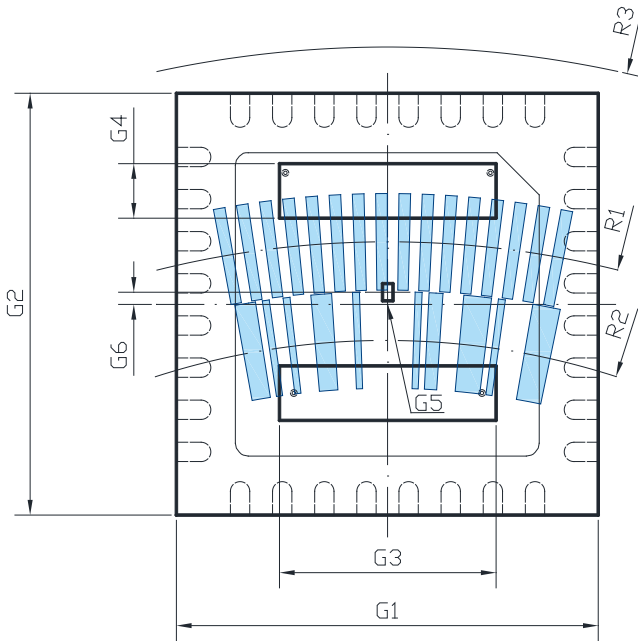
# PZ05S 69-1024, iC-PZ205

## iC-PZ Encoder Disc and Code Description



Rev A6, Page 2/2

### LAYOUT: System



Item	Parameter	[mm]
G0	Name and Design Release oQFN32 5x5	iC-PZ205
G1	Width	5.0
G2	Height	5.0
G3	Window Width (both windows)	2.57
G4	Window Height (both windows)	0.65
G5	Radius of Paddle Center	32.63
G6	Paddle Center vs. LED Center	0.15
R1	Optical Radius AB-Track (disc)	33.38
R2	Optical Radius Random-Track (disc)	32.18
R3	Disc Outer Edge	34.50

### REGISTER ASSIGNMENT:

Number of AB-increments	1024
SYS_OVR	10
FCL	1024
FCS	0
AI_SCALE (Air Gap 1.75 mm)	1.0422
AI_PHASE	20°

iC-Haus expressly reserves the right to change its products, specifications and related supplements (together the Documents). A Datasheet Update Notification (DUN) gives details as to any amendments and additions made to the relevant Documents on our internet website [www.ichaus.com/DUN](http://www.ichaus.com/DUN) and is automatically generated and shall be sent to registered users by email. Copying – even as an excerpt – is only permitted with iC-Haus' approval in writing and precise reference to source.

The data and predicted functionality is intended solely for the purpose of product description and shall represent the usual quality and behaviour of the product. In case the Documents contain obvious mistakes e.g. in writing or calculation, iC-Haus reserves the right to correct the Documents and no liability arises insofar that the Documents were from a third party view obviously not reliable. There shall be no claims based on defects as to quality and behaviour in cases of insignificant deviations from the Documents or in case of only minor impairment of usability.

No representations or warranties, either expressed or implied, of merchantability, fitness for a particular purpose or of any other nature are made hereunder with respect to information/specification resp. Documents or the products to which information refers and no guarantee with respect to compliance to the intended use is given. In particular, this also applies to the stated possible applications or areas of applications of the product.

iC-Haus products are not designed for and must not be used in connection with any applications where the failure of such products would reasonably be expected to result in significant personal injury or death (Safety-Critical Applications) without iC-Haus' specific written consent. Safety-Critical Applications include, without limitation, life support devices and systems. iC-Haus products are not designed nor intended for use in military or aerospace applications or environments or in automotive applications unless specifically designated for such use by iC-Haus.

iC-Haus conveys no patent, copyright, mask work right or other trade mark right to this product. iC-Haus assumes no liability for any patent and/or other trade mark rights of a third party resulting from processing or handling of the product and/or any other use of the product.

Software and its documentation is provided by iC-Haus GmbH or contributors "AS IS" and is subject to the ZVEI General Conditions for the Supply of Products and Services with iC-Haus amendments and the ZVEI Software clause with iC-Haus amendments ([www.ichaus.com/EULA](http://www.ichaus.com/EULA)).