

# PR06S 04-64, iC-PR0464

## iC-PR Encoder Disc and Code Description

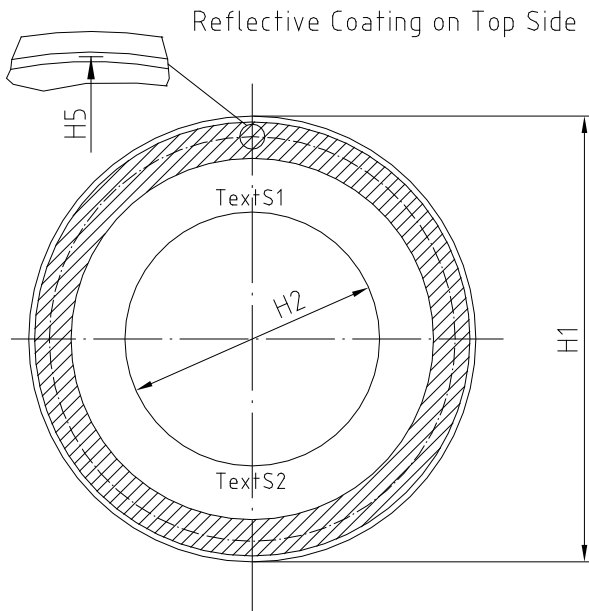


Rev B1, Page 1/2

### ORDERING INFORMATION

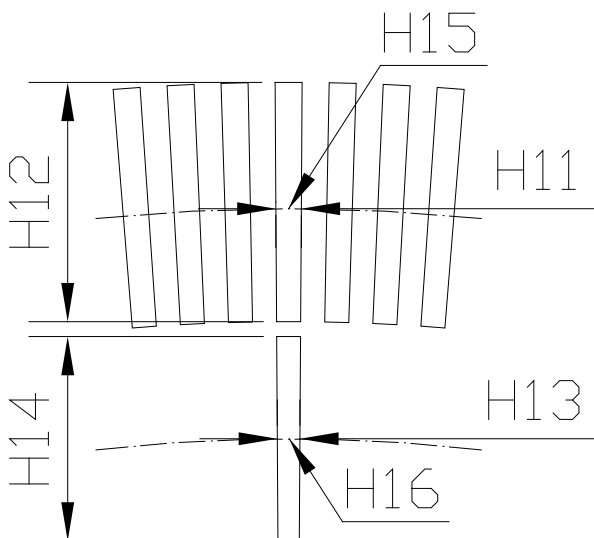
Type	Order Designation	Description/Options
Encoder Disc	PR06S# 04-64 (#: Material)	Code Disc 64 PPR, dia 4 mm

### PHYSICAL DIMENSIONS: Code Disc



Item	Parameter	[mm]
H1	Outer Diameter	4.0
H2	Inner Diameter	N/A
H3	Thickness	t.b.d.
H5	Radius of Paddle Center	1.050
H6	Radius of Middle of AB Tracks	1.625
H9	Text S1	PR06S#
H10	Text S2	04-64

### TRACK LAYOUT: Code Disc



Item	Parameter	[um]
H11	AB-Track Width	79.8
H12	AB-Track Height	560.0
H13	Index-Track Width	52.8
H14	Index-Track Height	475.0
H15	Radius AB-Track (Disc)	1625.0
H16	Radius Index-Track ( Disc )	1075.0

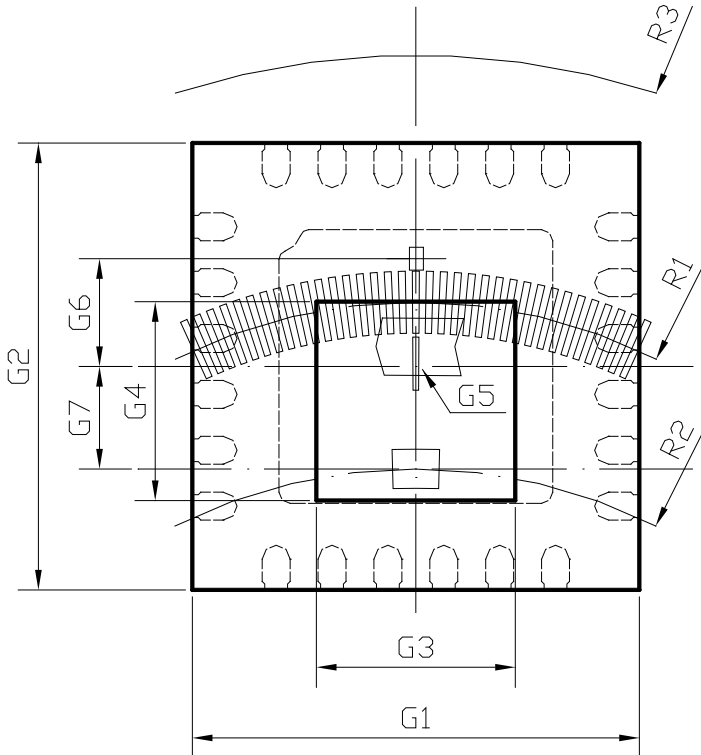
# PR06S 04-64, iC-PR0464

## iC-PR Encoder Disc and Code Description



Rev B1, Page 2/2

### LAYOUT: System



Item	Parameter	[mm]
G0	Name and Design Release oQFN24 4x4	iC-PR0464
G1	Width	4.0
G2	Height	4.0
G3	Window Width	1.78
G4	Window Height	1.78
G5	Radius of Paddle Center	1.050
G6	Paddle Center vs. LED Center	0.965
G7	Paddle Center vs. Index Center	0.915
R1	Optical Radius AB-Track (Disc)	1.625
R2	Optical Radius Index-Track (Chip)	0.135
R3	Disc Outer Edge	2.0

iC-Haus expressly reserves the right to change its products and/or specifications. An info letter gives details as to any amendments and additions made to the relevant current specifications on our internet website [www.ichaus.com/infoletter](http://www.ichaus.com/infoletter); this letter is generated automatically and shall be sent to registered users by email.

Copying – even as an excerpt – is only permitted with iC-Haus' approval in writing and precise reference to source.

iC-Haus does not warrant the accuracy, completeness or timeliness of the specification and does not assume liability for any errors or omissions in these materials.

The data specified is intended solely for the purpose of product description. No representations or warranties, either express or implied, of merchantability, fitness for a particular purpose or of any other nature are made hereunder with respect to information/specification or the products to which information refers and no guarantee with respect to compliance to the intended use is given. In particular, this also applies to the stated possible applications or areas of applications of the product.

iC-Haus products are not designed for and must not be used in connection with any applications where the failure of such products would reasonably be expected to result in significant personal injury or death ("Safety-Critical Applications") without iC-Haus' specific written consent. Safety-Critical Applications include, without limitation, life support devices and systems. iC-Haus products are not designed nor intended for use in military or aerospace applications or environments or in automotive applications unless specifically designated for such use by iC-Haus.

iC-Haus conveys no patent, copyright, mask work right or other trade mark right to this product. iC-Haus assumes no liability for any patent and/or other trade mark rights of a third party resulting from processing or handling of the product and/or any other use of the product.