

# PNH3S 26-512

## iC-PNH2612 Encoder Disc and Code Description

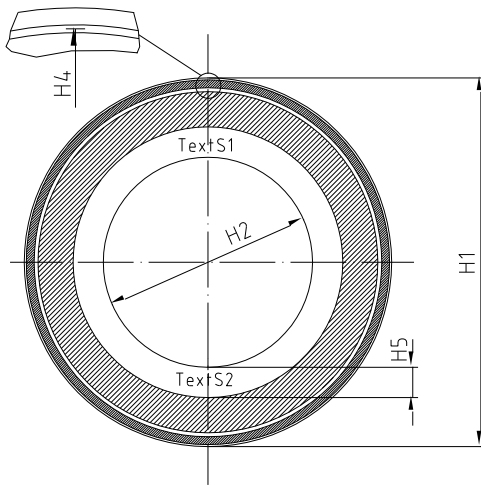


Rev A1, Page 1/2

### ORDERING INFORMATION

Type	Order Designation	Description/Options
Encoder Disc	PNH3S 26-512	Nonius Code Disc 512 PPR, dia 26.0 mm

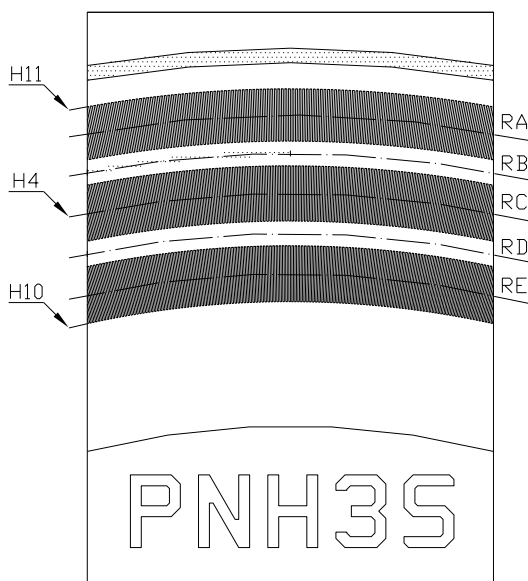
### PHYSICAL DIMENSIONS



Design Example

Item	Parameter	Comments	[mm]	Tolerance
H1	Outer Diameter		26.0	$\pm 100 \mu\text{m}$
H2	Inner Diameter		11.6	$+ 200 \mu\text{m}$
H3	Thickness		1.0	$\pm 100 \mu\text{m}$
H4	Radius of Chip Center	referred to origin	10.905	
H5	Distance Pattern to Drill Hole		2.3	
H6	Code Track Eccentricity	referred to center of inner hole	$\pm 0.2$	
H7	TextS1	readable on side of pattern	PNH3S	
H8	TextS2	readable on side of pattern	26-512	

### TRACK LAYOUT



Item	Parameter	Comments	[mm]
H4	Radius of Chip Center	referred to origin	10.905
H10	Code Pattern Radius	begin	9.465
H11	Code Pattern Radius	end	12.345
H12	Recommended LED Spot Diameter	LED Spot	$> 3.2$
H13	Recommended LED Spot Center	radius as center of illumination	10.905
RA	Track Radius Nonius		11.985
RB	Track Radius MTA		11.455
	Track Height MTA		0.08
RC	Track Radius Master		10.905
RD	Track Radius MTB		10.355
	Track Height MTB		0.08
RE	Track Radius Segment		9.825

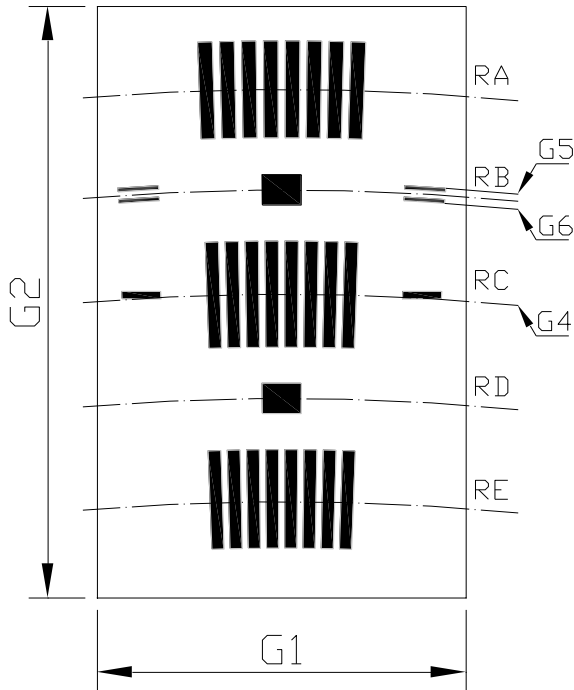
# PNH3S 26-512

## iC-PNH2612 Encoder Disc and Code Description



Rev A1, Page 2/2

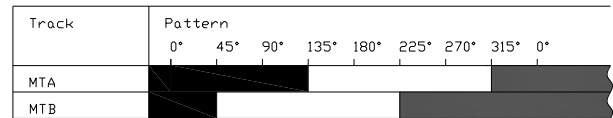
### PHYSICAL DIMENSIONS: Photosensor Array



Item	Parameter	Comments	[mm]
G0	Name and Design Release	iC-PNH2612	
G1	Window Width		1.90
G2	Window Height		3.24
G4	Radius of Chip Center	referred to origin	10.905
G5	Reflective Alignment Aid	end of circle	11.495
G6	Reflective Alignment Aid	begin of circle	11.415
RA	Track Radius Nonius		11.985
RB	Track Radius MTA		11.455
	Sensor Height MTA		0.160
RC	Track Radius Master		10.905
RD	Track Radius MTB		10.355
	Sensor Height MTB		0.160
RE	Track Radius Segment		9.825

### TRACK ASSIGNMENT: Photosensor Array

Radius	Signal			
RA	510 PPR PCOSN	510 PPR NSINN	510 PPR NCOSN	510 PPR PSINN
RB	1 PPR			
RC	512 PPR PCOSM	512 PPR NSINM	512 PPR NCOSM	512 PPR PSINM
RD	1 PPR			
RE	480 PPR PCOSS	480 PPR NSINS	480 PPR NCOSS	480 PPR PSINS



iC-Haus expressly reserves the right to change its products and/or specifications. An info letter gives details as to any amendments and additions made to the relevant current specifications on our internet website [www.ichaus.com/infoletter](http://www.ichaus.com/infoletter); this letter is generated automatically and shall be sent to registered users by email. Copying – even as an excerpt – is only permitted with iC-Haus approval in writing and precise reference to source. iC-Haus does not warrant the accuracy, completeness or timeliness of the specification on this site and does not assume liability for any errors or omissions in the materials. The data specified is intended solely for the purpose of product description. No representations or warranties, either express or implied, of merchantability, fitness for a particular purpose or of any other nature are made hereunder with respect to information/specification or the products to which information refers and no guarantee with respect to compliance to the intended use is given. In particular, this also applies to the stated possible applications or areas of applications of the product. iC-Haus conveys no patent, copyright, mask work right or other trade mark right to this product. iC-Haus assumes no liability for any patent and/or other trade mark rights of a third party resulting from processing or handling of the product and/or any other use of the product