

iC-MA DEMO MA1D

DEMO BOARD DESCRIPTION



Rev A1, Page 1/2

ORDERING INFORMATION

Type	Order Designation	Description/Options
iC-MA Demo	MA1D DEMO	Evaluation board for iC-MA

BOARD MA1D

(size 100 mm x 80 mm)

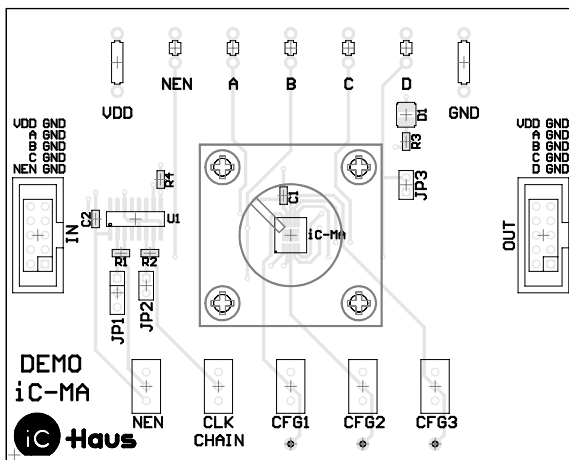


Figure 1: Component side of MA1D board

TERMINAL DESCRIPTIONS

Name	Function
VDD	Supply Voltage
NEN	Not Enable
A	Port A
B	Port B
C	Port C
D	Port D
GND	Ground
CFG1	Configuration Input 1
CFG2	Configuration Input 2
CFG3	Configuration Input 3

DESCRIPTION

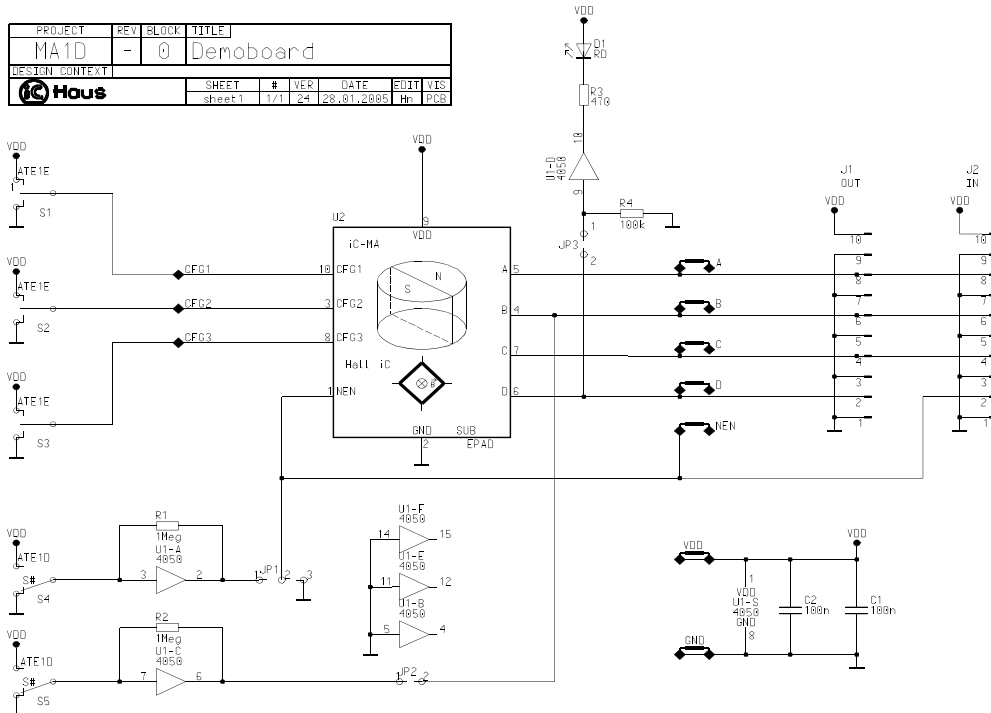


Figure 2: Schematic diagram of MA1D board

iC-MA DEMO MA1D

DEMO BOARD DESCRIPTION



Rev A1, Page 2/2

ASSEMBLY PART LIST

Device	Value (typ)	Comment
C1	100 nF	blocking capacitor
C2	100 nF	blocking capacitor
D1	SMD-LED	indicator lamp for Port D output of iC-MA
R1	1 M Ω	feedback resistor
R2	1 M Ω	feedback resistor
R3	470 Ω	current limiting resistor
R4	100 k Ω	pulldown resistor
U1	CD 4050	hex CMOS inverter, for debouncing switches S4 and S5 and driving indicator lamp D1
U2	iC-MA	hall sensor/encoder
J1	10 pin	output connector for cascading multiple demo boards
J2	10 pin	input connector for cascading multiple demo boards
JP1	jumper	connects S4 with NEN input; remove this jumper in chain modes when this board is not the first in a chain
JP2	jumper	connects S5 with CLK input in chain modes; used only in one board of a chain, remove on the rest
JP3	jumper	connects PORT D to indicator; remove this jumper to check tristate condition
S1	key switch	CFG1 level (high, open, low)
S2	key switch	CFG2 level (high, open, low)
S3	key switch	CFG3 level (high, open, low)
S4	key switch	NEN level (high, low)
S5	key switch	CLK level (high, low) (Port B of iC-MA when used in chain operation mode; otherwise remove jumper JP2)

This specification is for a newly developed product. iC-Haus therefore reserves the right to change or update, without notice, any information contained herein, design and specification; and to discontinue or limit production or distribution of any product versions. Please contact iC-Haus to ascertain the current data. Copying - even as an excerpt - is only permitted with iC-Haus approval in writing and precise reference to source.

iC-Haus does not warrant the accuracy, completeness or timeliness of the specification on this site and does not assume liability for any errors or omissions in the materials. The data specified is intended solely for the purpose of product description. No representations or warranties, either express or implied, of merchantability, fitness for a particular purpose or of any other nature are made hereunder with respect to information/specification or the products to which information refers and no guarantee with respect to compliance to the intended use is given. In particular, this also applies to the stated possible applications or areas of applications of the product.

iC-Haus conveys no patent, copyright, mask work right or other trade mark right to this product. iC-Haus assumes no liability for any patent and/or other trade mark rights of a third party resulting from processing or handling of the product and/or any other use of the product.