

iC-MZI

2-WIRE DIFFERENTIAL HALL SWITCH



Rev A2, Page 1/11

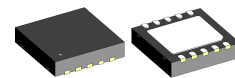
FEATURES

- ◆ Simple electric connection possible as two-wire device
- ◆ High magnetic sensitivity with input frequency up to 30 kHz
- ◆ User-defined current levels preset by external resistors
- ◆ Automatic duty-cycle correction and operation point settings
- ◆ Reverse polarity protected supply voltage
- ◆ Extended temperature range from -40 to +125 °C

APPLICATIONS

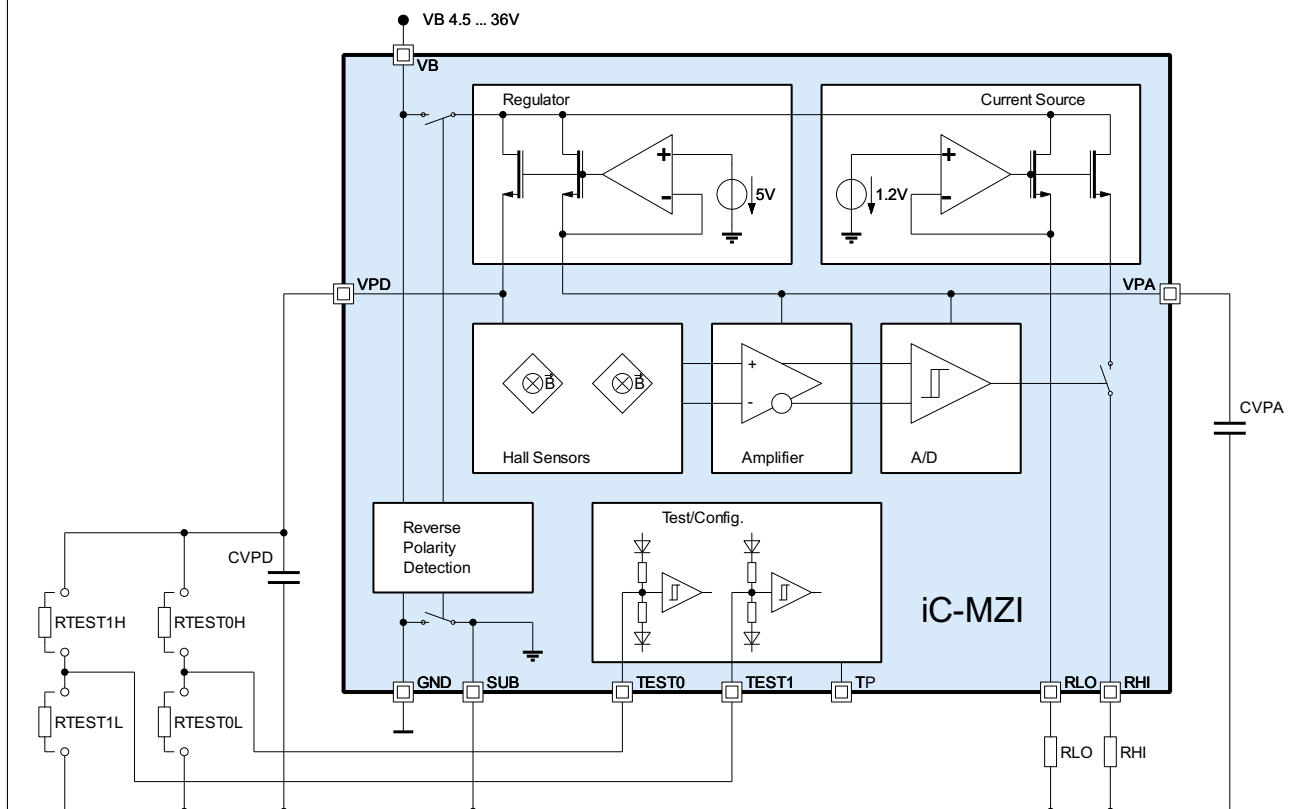
- ◆ Gear wheel sensing
- ◆ Magnetic position encoders
- ◆ Proximity switch

PACKAGES



DFN10
4 mm x 4 mm x 0.9 mm
RoHS compliant

BLOCK DIAGRAM



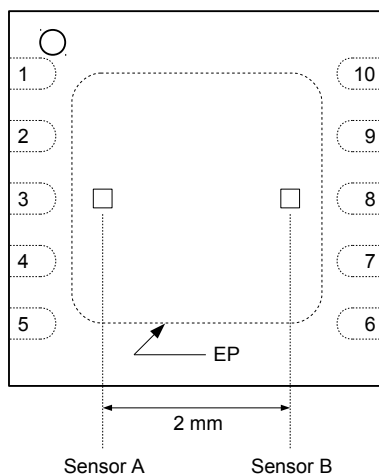
DESCRIPTION

The iC-MZI is a differential Hall switch intended for sensing a magnetic target or, with the aid of an additional back-bias magnet, a ferromagnetic gear. The two Hall sensors are spaced 2 mm apart. Depending on the detected magnetic field difference, the supply current of the iC-MZI will vary between two levels

(high, low) which are preset by two external resistors RHI and RLO respectively. With solely using the supply pins VB and GND, thus the iC-MZI acts as a simple two-wire, reverse polarity protected magnetic sensor switch.

PACKAGING INFORMATION

PIN CONFIGURATION DFN10 4x4



PIN FUNCTIONS

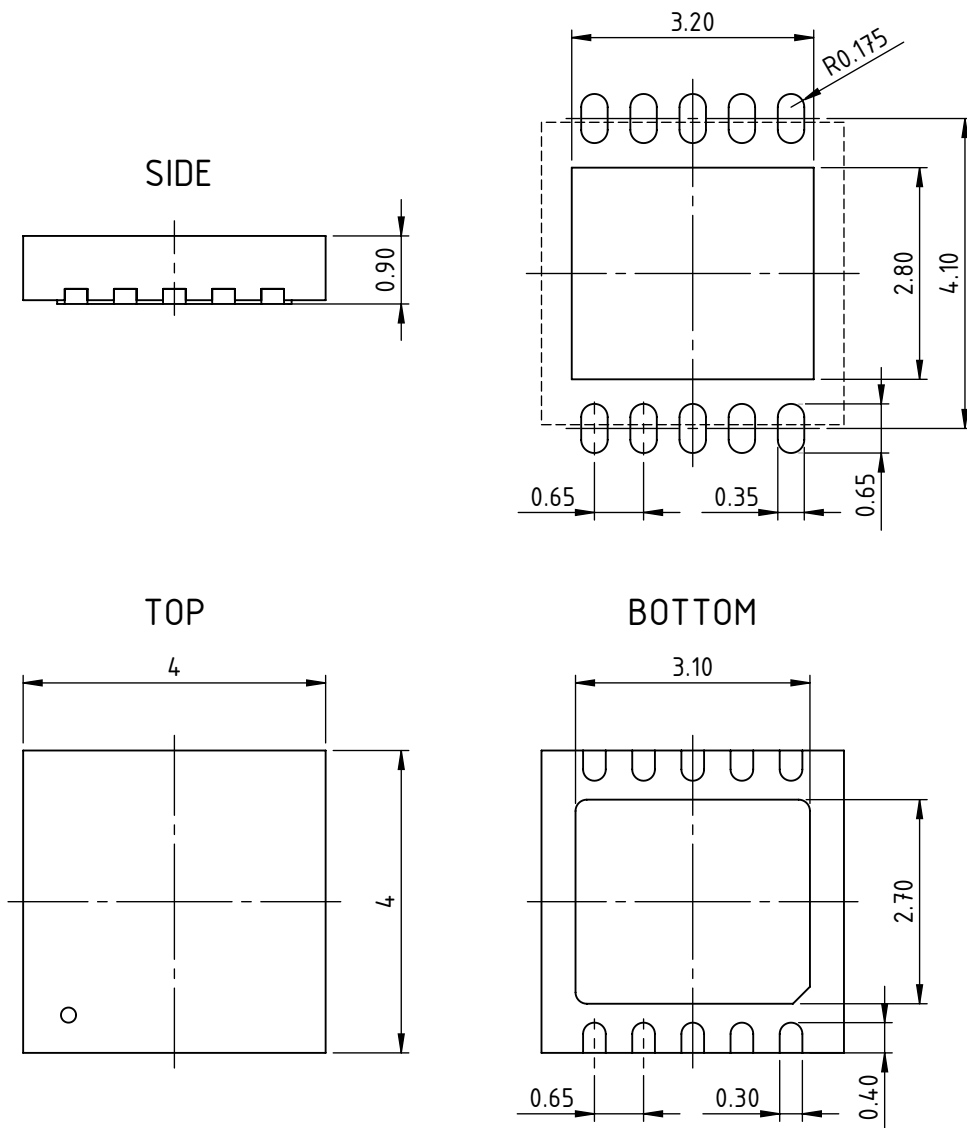
| No. | Name | Function |
|-----|-------|-------------------------------------|
| 1 | VPD | Internal digital supply voltage |
| 2 | RLO | Low level current preset |
| 3 | TEST0 | Test pin 0 |
| 4 | RHI | High level current preset |
| 5 | GND | Supply Ground |
| 6 | VB | Supply voltage |
| 7 | TP | (iC-Haus use only - do not connect) |
| 8 | SUB | Substrate (internal Ground) |
| 9 | TEST1 | Test pin 1 |
| 10 | VPA | Internal analog supply voltage |
| | EP | Exposed Pad |

Connect the *Exposed Pad* EP to SUB pin. Use a large ground plane to improve thermal performance. EP is not intended as an electrical connection point. The pin TP is for iC-Haus test purpose and has to be left unconnected. Orientation of the logo (Ⓢ MZI CODE ...) is subject to alteration.

PACKAGE DIMENSIONS DFN10 4 mm x 4 mm

All dimensions given in mm.

RECOMMENDED PCB-FOOTPRINT



ABSOLUTE MAXIMUM RATINGS

Beyond these values damage may occur; device operation is not guaranteed.

| Item No. | Symbol | Parameter | Conditions | | | Unit |
|----------|--------|------------------------------------|--|------|------|------|
| | | | | Min. | Max. | |
| G001 | VB | Voltage at VB | | -40 | 40 | V |
| G002 | I(VB) | Current in VB | | -40 | 40 | mA |
| G003 | Vd() | Susceptibility to ESD at all pins | HBM 100 pF discharged through 1.5 k Ω | | 2 | kV |
| G004 | V() | Voltage at all pins (except VB) | versus SUB | -0.3 | 5.5 | V |
| G005 | I() | Current in TEST0, TEST1 | | -4 | 4 | mA |
| G006 | I() | Current in RLO, RHI, VPA, VPD, SUB | | -20 | 20 | mA |

THERMAL DATA

| Item No. | Symbol | Parameter | Conditions | | | | Unit |
|----------|--------|-------------------------------------|------------|------|------|------|------|
| | | | | Min. | Typ. | Max. | |
| T01 | Ta | Operating ambient temperature range | | -40 | | +120 | °C |
| T02 | Tj | Junction Temperature | | -40 | | +125 | °C |
| T03 | Ts | Storage Temperature | | -55 | | +125 | °C |

All voltages are referenced to ground unless otherwise stated.

All currents flowing into the device pins are positive; all currents flowing out of the device pins are negative.

ELECTRICAL CHARACTERISTICS

 Operating Conditions: $V_B = 4.5 \dots 36 \text{ V}$, $T_j = -40 \dots 125 \text{ }^\circ\text{C}$

| Item No. | Symbol | Parameter | Conditions | Min. | Typ. | Max. | Unit |
|----------------------------|-----------------------------|---|---|------|------|------|---------------|
| | | | | | | | |
| Supply data | | | | | | | |
| 001 | V_B | Permissible supply voltage | | 4.5 | | 36 | V |
| 002 | $I(V_B)$ | Supply current in V_B | device only, with $I(RHI, RLO) = 0$ | 2.1 | 3.2 | 3.8 | mA |
| 003 | $V(\text{on})$ | Turn-on threshold V_B | versus SUB | 4.0 | | 4.4 | V |
| 004 | $V(\text{off})$ | Turn-off threshold V_B | versus SUB | 3.8 | | 4.2 | V |
| 005 | $V(\text{hys})$ | Hysteresis V_B | | 200 | | 300 | mV |
| 006 | $V(VPA)$ | Internal analog supply | versus SUB | 4.2 | 5.0 | 5.5 | V |
| 007 | $V(VPD)$ | Internal digital supply | versus SUB | 4.2 | 5.0 | 5.5 | V |
| 008 | $V(\text{SUB})$ | Substrat voltage | versus GND, $I(\text{GND}) = 20 \text{ mA}$ | | | 200 | mV |
| 009 | $V_c(\text{hi})$ | Clamp voltage hi at pins RHI, RLO, TEST0, TEST1, TP | $V_c(\text{hi}) = V() - V(\text{VPD})$, $I() = 1 \text{ mA}$ | 0.3 | | 1.6 | V |
| 010 | $V_c(\text{lo})$ | Clamp voltage lo an pins RHI, RLO, TEST0, TEST1, TP, VPA, VPD | $V_c(\text{lo}) = V() - V(\text{SUB})$, $I() = -1 \text{ mA}$ versus SUB | -1.6 | | -0.3 | V |
| 011 | $V_c(\text{hi})$ | Clamp voltage hi an Pin V_B | $I() = 10 \text{ mA}$, versus GND, $I(RHI, RLO) = 0$ | 36 | | | V |
| 012 | $V_c(\text{lo})$ | Clamp voltage lo an Pin V_B | $I() = -10 \text{ mA}$, versus GND | | | -36 | V |
| 013 | t_{on} | Response time | From $t(V_B > V(\text{on}))$ until start of switching operation | | | 200 | μs |
| 014 | CVPA | Capacitance at VPA | versus SUB | | | 10 | nF |
| 015 | CVPD | Capacitance at VPD | versus SUB | | | 10 | nF |
| Magnetic data | | | | | | | |
| 101 | Hdc | Magnetic Field | DC value | -400 | | 400 | kA/m |
| 102 | Hth,hi | Magnetic switching threshold, high | TEST0, TEST1: open circuit | -2.6 | 1.2 | 5.4 | kA/m |
| 103 | Hth,lo | Magnetic switching threshold, low | TEST0, TEST1: open circuit | -5.4 | -1.2 | 2.6 | kA/m |
| 104 | Hth,hys | Hysteresis | | 2.0 | 2.4 | 2.8 | kA/m |
| 105 | $ \Delta H_{\text{min}} $ | Differential field | switching | 3 | | | kA/m |
| 106 | f_c | signal cut-off frequency | -3 dB roll off | 25 | 30 | | kHz |
| 107 | f_{mag} | Magnetic input frequency | | 0 | | 30 | kHz |
| 108 | Hth,max | duty cycle correction range, max. magnetic field | | | | 9 | kA/m |
| 109 | Hth,min | duty cycle correction range, min. magnetic field | | -9 | | | kA/m |
| 110 | ΔH_{th} | Step size of duty cycle correction | | 0.1 | 0.15 | 0.2 | kA/m |
| Pins RLO, RHI | | | | | | | |
| 201 | $V(\text{RLO})$ | Voltage at RLO | $I() \leq -7 \text{ mA}$, versus SUB | 1.1 | 1.22 | 1.3 | V |
| 202 | $V(\text{RHI})$ | Voltage at RHI | $I() \leq -14 \text{ mA}$, versus SUB | 0 | 1.22 | 1.3 | V |
| 203 | $I(\text{RLO})$ | Current at RLO | versus SUB | | | 7 | mA |
| 204 | $I_{\text{sc}}(\text{RLO})$ | Short-circuit current at RLO | versus SUB | 10 | | 25 | mA |
| 205 | $I(\text{RHI})$ | Current at RHI | versus SUB | | | 14 | mA |
| 206 | $I_{\text{sc}}(\text{RHI})$ | Short-circuit current at RHI | versus SUB | 15 | | 35 | mA |
| 207 | $V_t(\text{hi})$ | Input threshold voltage hi | in test mode, versus SUB | 3 | | | V |
| 208 | $V_t(\text{lo})$ | Input threshold voltage lo | in test mode, versus SUB | | | 2 | V |
| Inputs TEST0, TEST1 | | | | | | | |
| 401 | $V(\text{open})$ | Open circuit voltage | pin not connected | 2.0 | 2.5 | 2.9 | V |
| 402 | $I(\text{pu})$ | Pull-Up current | $V() = 0 \text{ V}$ | -40 | | -9 | μA |
| 403 | $I(\text{pd})$ | Pull-Down current | $V() = V(\text{VPD})$ | 9 | | 40 | μA |
| 404 | $V_t(\text{hi, on})$ | Input threshold voltage hi | $V_t(\text{hi}) = V(\text{VPD}) - V()$ | 0.7 | | 1.3 | V |
| 405 | $V_t(\text{hi, off})$ | Input threshold voltage hi | $V_t(\text{hi}) = V(\text{VPD}) - V()$ | 1.0 | | 1.6 | V |
| 406 | $V_t(\text{lo, on})$ | Input threshold voltage lo | versus SUB | 0.7 | | 1.2 | V |
| 407 | $V_t(\text{lo, off})$ | Input threshold voltage lo | versus SUB | 0.9 | | 1.5 | V |

Current level setting using external resistors

The voltages at pins RHI, RLO are regulated to 1.25 V typically. Therefore, attached resistors will cause additional current draw $I = U/R$ depending on the resistor values. The quiescent current $I(VB)$ of the iC-MZI (typ. 3.6 mA) has to be accounted for the total resulting current levels.

As an example, to set the supply current levels to $I(VB,LO) = 7 \text{ mA}$ and $I(VB,HI) = 14 \text{ mA}$, the resulting preset currents must be $I(LO) = I(VB,LO) - I(VB) = 7 \text{ mA} - 3.6 \text{ mA} = 3.4 \text{ mA}$ and $I(HI) = I(VB,HI) - I(VB,LO) = 7 \text{ mA}$, which leads to resistor values of $R(RLO) = 1.25 \text{ V} / 3.4 \text{ mA} = 370 \Omega$ and $R(RHI) = 1.25 \text{ V} / 7 \text{ mA} = 180 \Omega$.

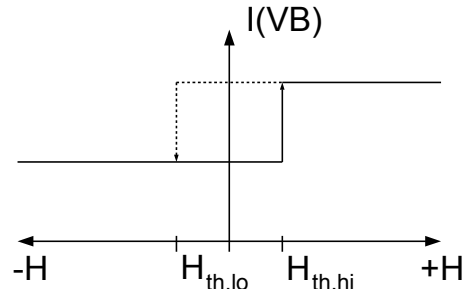


Figure 1: Current level switching vs. magnetic field difference

Switching thresholds and hysteresis

In a typical gear sensing application, the iC-MZI is back-biased with an external magnet and the resulting variations in the magnetic field due to the modulation by the gear teeth is monitored. As the Hall sensors are spaced apart, the two sensor signals will differ and can be evaluated, thus eliminating the DC bias signal. Figure 2 shows the magnetic input signals for the two Hall sensors (green and red), from which the differential signal (blue) is extracted and, after further amplification, is fed to a comparator to toggle the two current levels.

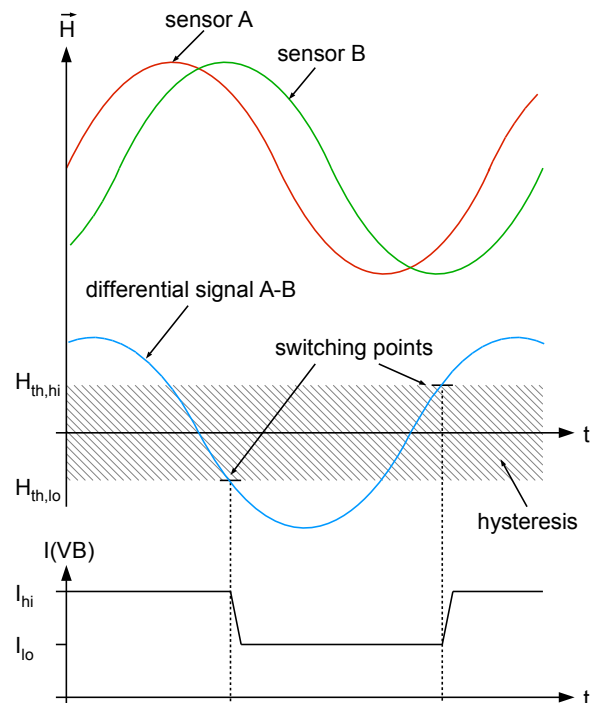


Figure 2: Signal transfer characteristics

Effects of signal noise

In case of a moving gear with constant rotating speed, also a fixed frequency switching output signal with 50% duty-cycle is expected. Noise in the internal signal path of the device or external interference of electric or magnetic origin may have undesirable effect on switching operation.

Fig 3 shows the transfer function $S(\Delta H)$ (blue) of the iC-MZI with respect to the differential magnetic field ΔH . The additional noise and interferences as shown in the light blue area will also contribute to the time of switching, resulting in deviation of the nominal expected transition known as jitter. Therefore, this jitter will lead to non-constant output duty-cycle as shown in Fig. 4.

Also note that the switching level associated with a given hysteresis, which makes the duty-cycle sensitive to the magnitude of the differential magnetic field. As shown in Fig. 5, the magnetic signal should be large compared to the hysteresis to maintain a 50% duty cycle. A weak differential signal results in large deviations in duty-cycle or even non-switching operating behaviour.

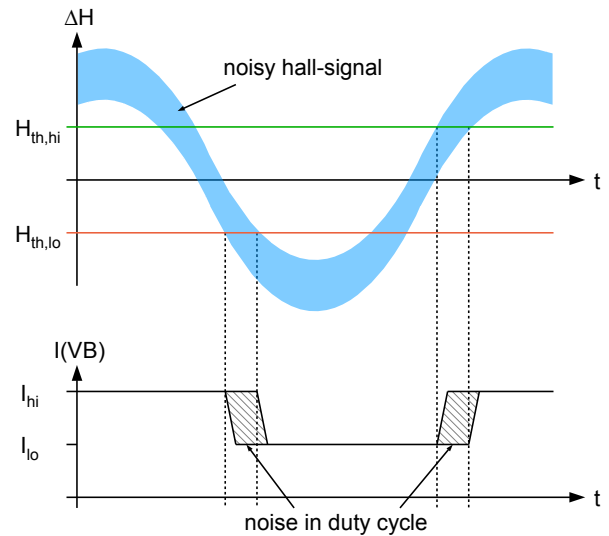


Figure 4: Effect of noise on output duty-cycle

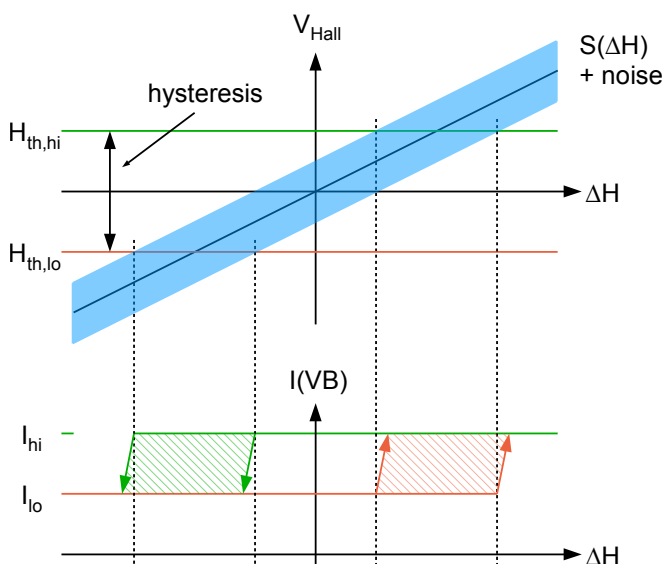


Figure 3: Switching behaviour vs. magnetic input signal

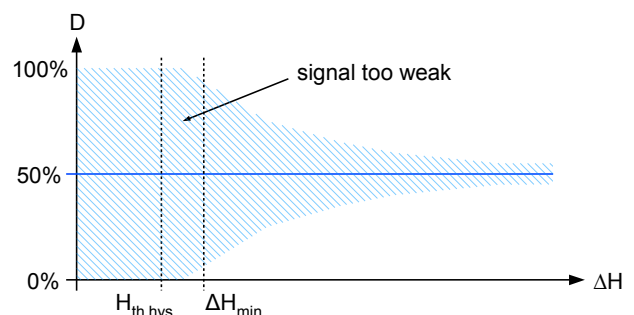


Figure 5: Duty-cycle as a function of ΔH

Offset and duty-cycle correction

The iC-MZI allows for a duty-cycle correction provided the input signal frequency is in the range of 20 Hz to 25 kHz. This is done by offsetting the switching thresh-

old toward the mean value of the input signal (see center bar in Fig. 6).

Table 4 shows the configuration of the offset depending on the logic state at the two pins TEST0 und TEST1.

The value PRESEL defines the threshold value of the comparator at the time of power-on to compensate for a given magnetic offset. With setting AUTO an automatic offset correction is initiated.

| Nr. | TEST0 | TEST1 | Duty-Cycle Correction | PRESEL [kA/m] |
|-----|-------|-------|-----------------------|---------------|
| 0 | | Z | | 0 |
| 1 | Z | L | OFF | -4,8 |
| 2 | | H | | +4,8 |
| 3 | | Z | | 0 |
| 4 | L | L | ON | -2,4 |
| 5 | | H | | -4,8 |
| 6 | | Z | | AUTO |
| 7 | H | L | ON | +2,4 |
| 8 | | H | | +4,8 |

Table 4: Parameters for Duty-Cycle Correction

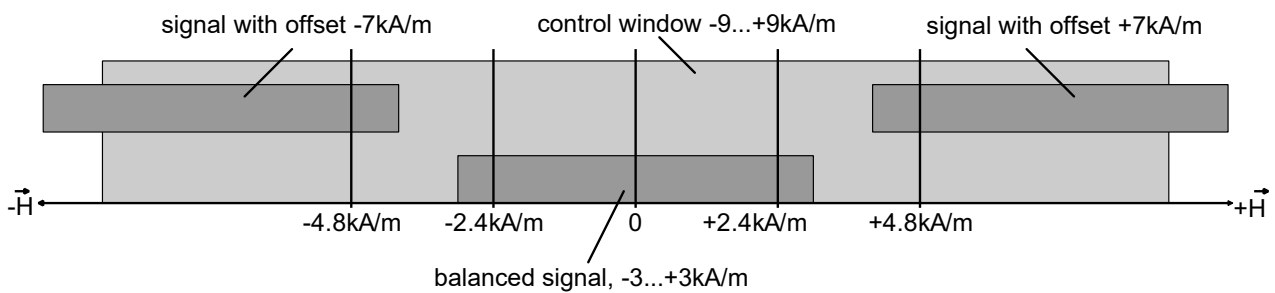


Figure 6: Adjustment range and starting values

Fig. 8 shows how the pins TEST0 and TEST1 can be configured using externally connected resistors. The pin VPD should not be loaded with more than about 100 μ A, therefore the resistors should be of no less value than about 25k Ω . Either a high or a low state at the input can be realized by connecting a resistor from the pin to VPD or SUB. Leaving the pin open results in the third logic state (mid-level, logic state Z). Fig. 7 shows how the internal signals TEST_LO and TEST_HI are related to the input voltage of the pin.

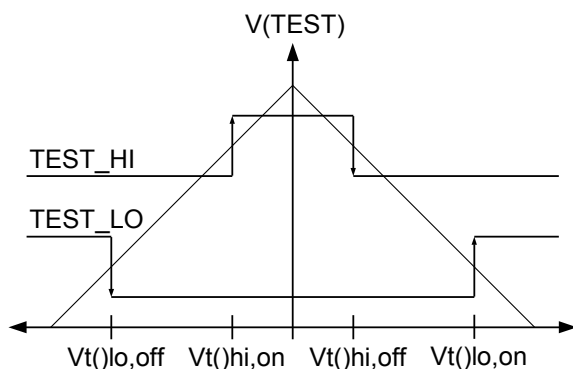


Figure 7: Three-level transfer function

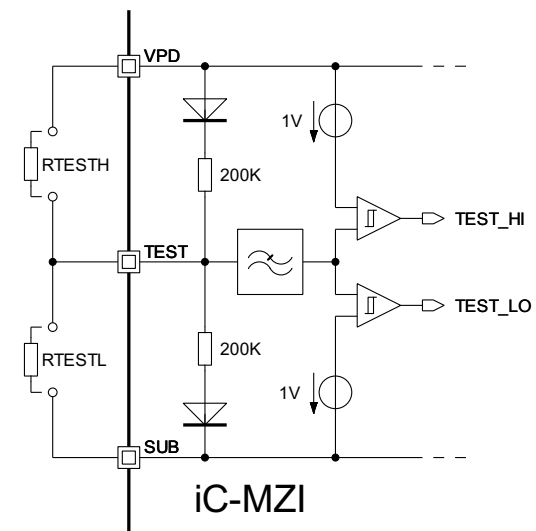


Figure 8: Schematic of the three-level inputs of TEST0 and TEST1 pins and optional pre-set circuitry

iC-MZI

2-WIRE DIFFERENTIAL HALL SWITCH



Rev A2, Page 9/11

Reverse polarity protection

The iC-MZI is reverse polarity protected with respect to the VB and GND pins. In case of wrong polarity the internal circuitry will be disconnected from the supply pins VB and GND.

Substrate pin SUB

External components should be located as close as possible to the iC-MZI, with pin SUB as a common reference ground. During normal operation, the reverse polarity control connects SUB to the GND pin.

Application Example

Figure 9 shows a typical arrangement of the iC-MZI together with a control unit. The latter one sources the iC-MZI with the supply voltage and shunts the supply current to convert it back to sensor voltages to be further evaluated.

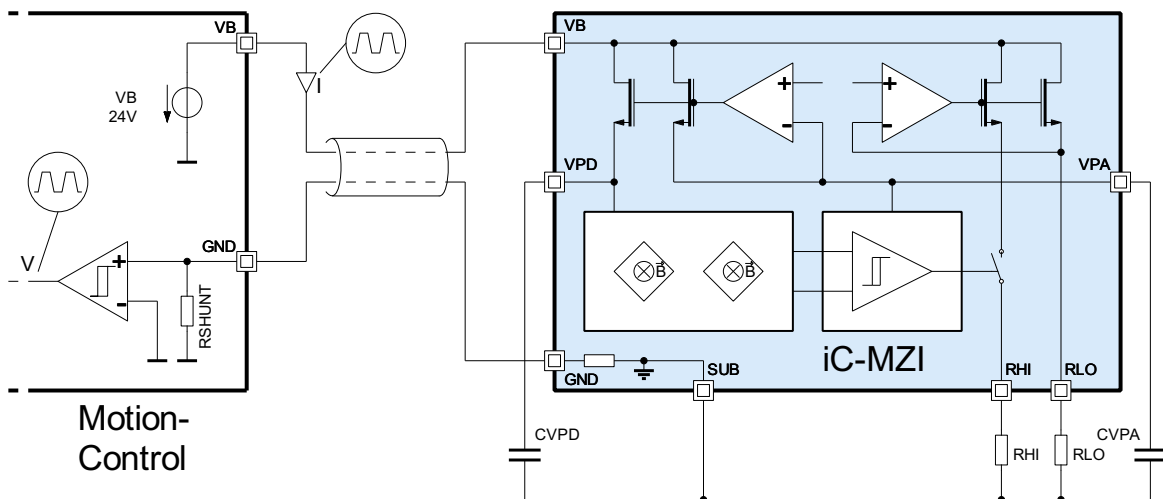


Figure 9: Sourcing and sensing the iC-MZI as a two-wire sensor

iC-MZI

2-WIRE DIFFERENTIAL HALL SWITCH



Rev A2, Page 10/11

REVISION HISTORY

| Rel. | Rel. Date* | Chapter | Modification | Page |
|------|------------|---------|---------------------|------|
| A.1 | 2018-11-09 | | Preliminary Release | all |

| Rel. | Rel. Date* | Chapter | Modification | Page |
|------|------------|-------------------------------------|--|------|
| A.2 | 2020-11-20 | all | "preliminary" label removed | all |
| | | FEATURES | Feature added for extended temperature range | 1 |
| | | Switching thresholds and hysteresis | Caption of Fig. 2 changed to "Signal transfer characteristics" | 6 |

iC-Haus expressly reserves the right to change its products, specifications and related supplements (together the Documents). A Datasheet Update Notification (DUN) gives details as to any amendments and additions made to the relevant Documents on our internet website www.ichaus.com/DUN and is automatically generated and shall be sent to registered users by email.

Copying – even as an excerpt – is only permitted with iC-Haus' approval in writing and precise reference to source.

The data and predicted functionality is intended solely for the purpose of product description and shall represent the usual quality and behaviour of the product. In case the Documents contain obvious mistakes e.g. in writing or calculation, iC-Haus reserves the right to correct the Documents and no liability arises insofar that the Documents were from a third party view obviously not reliable. There shall be no claims based on defects as to quality and behaviour in cases of insignificant deviations from the Documents or in case of only minor impairment of usability.

No representations or warranties, either expressed or implied, of merchantability, fitness for a particular purpose or of any other nature are made hereunder with respect to information/specification resp. Documents or the products to which information refers and no guarantee with respect to compliance to the intended use is given. In particular, this also applies to the stated possible applications or areas of applications of the product.

iC-Haus products are not designed for and must not be used in connection with any applications where the failure of such products would reasonably be expected to result in significant personal injury or death (*Safety-Critical Applications*) without iC-Haus' specific written consent. Safety-Critical Applications include, without limitation, life support devices and systems. iC-Haus products are not designed nor intended for use in military or aerospace applications or environments or in automotive applications unless specifically designated for such use by iC-Haus.

iC-Haus conveys no patent, copyright, mask work right or other trade mark right to this product. iC-Haus assumes no liability for any patent and/or other trade mark rights of a third party resulting from processing or handling of the product and/or any other use of the product.

Software and its documentation is provided by iC-Haus GmbH or contributors "AS IS" and is subject to the ZVEI General Conditions for the Supply of Products and Services with iC-Haus amendments and the ZVEI Software clause with iC-Haus amendments (www.ichaus.com/EULA).

* Release Date format: YYYY-MM-DD

ORDERING INFORMATION

| Type | Package | Options | Order Designation |
|--------|---|---------|-------------------|
| iC-MZI | 10-pin DFN, 4 mm x 4 mm 0.9 mm thickness RoHS compliant | | iC-MZI DFN10-4x4 |

Please send your purchase orders to our order handling team:

Fax: +49 (0) 61 35 - 92 92 - 692

E-Mail: dispo@ichaus.com

For technical support, information about prices and terms of delivery please contact:

iC-Haus GmbH
Am Kuemmerling 18
D-55294 Bodenheim
GERMANY

Tel.: +49 (0) 61 35 - 92 92 - 0

Fax: +49 (0) 61 35 - 92 92 - 192

Web: <http://www.ichaus.com>

E-Mail: sales@ichaus.com

Appointed local distributors: http://www.ichaus.com/sales_partners