

MU36S 35-32N

iC-MU150 MAGNETIC TARGET DESCRIPTION

preliminary



Rev A1, Page 1/3

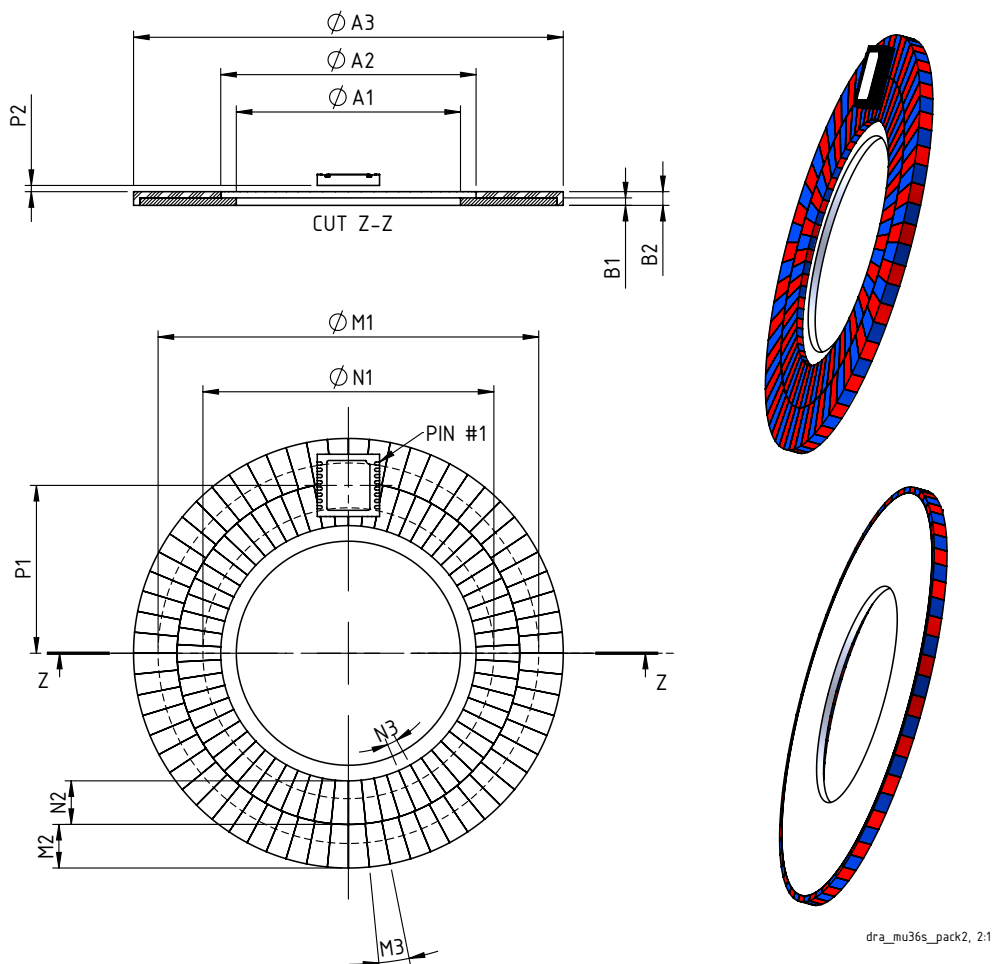
ORDERING INFORMATION

Type	Order Destination	Description/Options
Magnetic target (rotary, axial)	MU36S 35-32N	2-Track axial magnetic target for use with iC-MU150 nonius encoder iC Bipolar magnetized Number of pole pairs: Master 32, Nonius 31 Outer diameter 34.5 mm, for 18.0 mm shafts Metal carrier with vulcanized rubber magnet material

Magnetic Target Manufacturer: Hutchinson

For further information please [visit the Hutchinson website](#).

CODE DISC DIMENSIONS



Notice: Interference in function

External magnetic fields can change the functional properties and may reduce system accuracy or damage the disc magnetization. The functionality of the system may no longer be ensured. Direct contact with magnetic clamps or other permanent magnets must be avoided.

MU36S 35-32N

iC-MU150 MAGNETIC TARGET DESCRIPTION

preliminary



Rev A1, Page 2/3

ABSOLUTE MAXIMUM RATINGS

Beyond these values damage may occur; device operation is not guaranteed.

Item No.	Symbol	Parameter	Conditions			Unit
				Min.	Max.	
G001	Bext	Max. External Magnetic Field Strength	at disc surface		20	mT

THERMAL DATA

Operation conditions: No changes of the magnetic characteristics

Item No.	Symbol	Parameter	Conditions				Unit
				Min.	Typ.	Max.	
T01	Ta	Operating Ambient Temperature Range		-40		140	°C

DIMENSION TABLE

Item No.	Parameter	Comments					Unit
			Min.	Typ.	Max.	Tolerance	
Physical Dimensions Disc							
A1	Ring Inner Diameter			18.00		+0.03/-0.02	mm
A2	Magnetic Track Inner Diameter			20.5		±0.1	mm
A3	Ring Outer Diameter			34.5		±0.2	mm
B1	Thickness of Metal Carrier			0.60			mm
B2	Total Thickness			1.10		±0.1	mm
Magnetic Dimensions Master Track							
M1	Scanning diameter of Master Track			30.56			mm
M2	Width of Master Track			3.5			mm
M3	Pole Pitch of Master Track			$\frac{360}{64}$			deg
Magnetic Dimensions Nonius Track							
N1	Scanning diameter of Nonius Track			23.36			mm
N2	Width of Nonius Track			3.5			mm
N3	Pole Pitch of Nonius Track			$\frac{360}{62}$			deg
Chip Position							
P1	Radial Position of Chip Center	referred to axial center		13.48			mm
P2	Distance Package Surface	typical, referred to magnetic coating surface		0.5			mm
Magnetic Material Characteristics							
Br	Remanence	at 20 °C		190			mT
TKB	Temperature Coefficient of Remanence	temperature range -40 °C to 140 °C		-0.19			%/K
Mechanical Characteristics							
Wt	Weight			4			g

MU36S 35-32N

iC-MU150 MAGNETIC TARGET DESCRIPTION

preliminary



Rev A1, Page 3/3

REVISION HISTORY

Rel.	Rel. Date*	Chapter	Modification	Page
A1	2020-10-09		Initial release	

iC-Haus expressly reserves the right to change its products, specifications and related supplements (together the Documents). A Datasheet Update Notification (DUN) gives details as to any amendments and additions made to the relevant Documents on our internet website www.ichaus.com/DUN and is automatically generated and shall be sent to registered users by email.

Copying – even as an excerpt – is only permitted with iC-Haus' approval in writing and precise reference to source.

The data and predicted functionality is intended solely for the purpose of product description and shall represent the usual quality and behaviour of the product. In case the Documents contain obvious mistakes e.g. in writing or calculation, iC-Haus reserves the right to correct the Documents and no liability arises insofar that the Documents were from a third party view obviously not reliable. There shall be no claims based on defects as to quality and behaviour in cases of insignificant deviations from the Documents or in case of only minor impairment of usability.

No representations or warranties, either expressed or implied, of merchantability, fitness for a particular purpose or of any other nature are made hereunder with respect to information/specification resp. Documents or the products to which information refers and no guarantee with respect to compliance to the intended use is given. In particular, this also applies to the stated possible applications or areas of applications of the product.

iC-Haus products are not designed for and must not be used in connection with any applications where the failure of such products would reasonably be expected to result in significant personal injury or death (*Safety-Critical Applications*) without iC-Haus' specific written consent. Safety-Critical Applications include, without limitation, life support devices and systems. iC-Haus products are not designed nor intended for use in military or aerospace applications or environments or in automotive applications unless specifically designated for such use by iC-Haus.

iC-Haus conveys no patent, copyright, mask work right or other trade mark right to this product. iC-Haus assumes no liability for any patent and/or other trade mark rights of a third party resulting from processing or handling of the product and/or any other use of the product.

Software and its documentation is provided by iC-Haus GmbH or contributors "AS IS" and is subject to the ZVEI General Conditions for the Supply of Products and Services with iC-Haus amendments and the ZVEI Software clause with iC-Haus amendments (www.ichaus.com/EULA).

* Release Date format: YYYY-MM-DD