

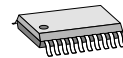
FEATURES

- ◆ Real-time tracking, no-missing-code interpolation with selectable factors: x1, x2, x4, x5, x8, x10, x16, x20, x25, x50
- ◆ High input frequency of up to 500 kHz at x1 and x2 (200 kHz at x4 and x5, 100 kHz at x10, 20 kHz for x50)
- ◆ Excellent accuracy (typ. 0.6 LSB) and repeatability (typ. 0.1 LSB)
- ◆ Differential PGA inputs with selectable input resistance for voltage and current signals
- ◆ Adjustable signal conditioning for offset, amplitude, phase
- ◆ Unique signal and calibration stabilization feature: supply of encoder LED or MR bridge via controlled 40 mA current source
- ◆ Fail-safe RS422 encoder quadrature outputs with index signal
- ◆ Adjustable index position and length (from 1/4 to 1 T)
- ◆ Preselectable minimum phase distance for fail-safe counting
- ◆ Clipping, loss-of-signal and loss-of-tracking indication
- ◆ Setup via serial EEPROM interface
- ◆ Sub-system power switch offers reverse polarity protection for the overall system
- ◆ Single 5V supply, operation from -25 °C to +100 °C

APPLICATIONS

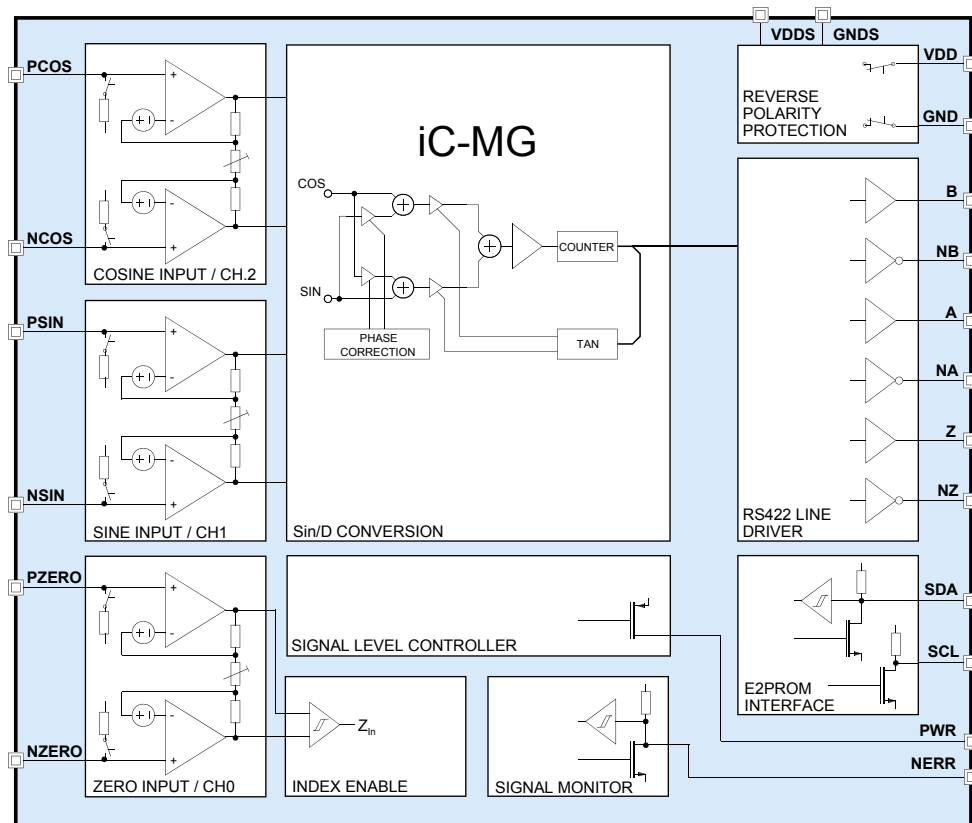
- ◆ Optical and magnetic position sensors
- ◆ Rotary encoders
- ◆ Linear encoders

PACKAGES



TSSOP20

BLOCK DIAGRAM



DESCRIPTION

iC-MG is a non-linear A/D converter which, by applying a count-safe vector principle, digitizes sine/cosine sensor signals with selectable resolution and hysteresis. The angle position is output incrementally via differential RS422 drivers as an encoder quadrature signal with an index pulse. The minimum phase distance can be preselected, to enhance the systems's noise immunity and to allow for fail-safe counting.

The PGA front-end permits differential (VDIFF or IDIFF mode) or single-ended input signals (VREF or IREF mode); high impedance (V modes) and low impedance (I modes) can be selected. By this adaptation MR sensor bridges or photosensors can be directly connected.

The integrated signal conditioning unit allows signal amplitudes and offset voltages to be calibrated and

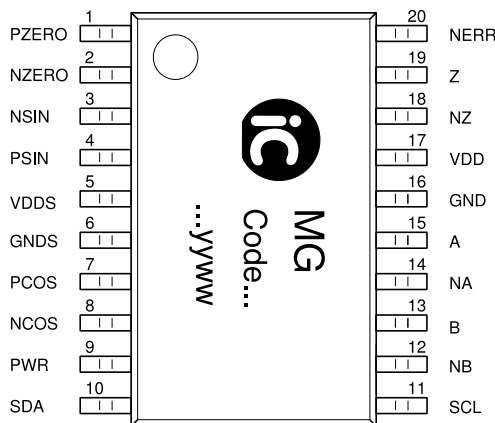
also any phase error between the sine and cosine signals to be corrected.

For the purpose of signal stabilization (to minimize the effects of temperature and aging), the chip's power supply controller can take over LED control in optical systems (40 mA current-source output PWR). If MR sensors are connected this driver stage also powers the measuring bridges. If the control thresholds are reached this is signaled at alarm message output NERR (signal loss due to wire breakage, short circuiting, dirt or aging, for example).

iC-MG is protected against a reversed power supply voltage; the integrated supply switch for loads of up to 20 mA extends this protection to cover the overall system. The device is configured via an external EEPROM.

PACKAGING INFORMATION

PIN CONFIGURATION TSSOP20



PIN FUNCTIONS

No.	Name	Function
1	PZERO	Input Zero Signal +
2	NZERO	Input Zero Signal -
3	NSIN	Input Sine Signal -
4	PSIN	Input Sine Signal +
5	VDDS ¹	Switched Supply Output and Internal Analog Supply Voltage (reverse pol. proof, load 20 mA max.)
6	GNDS ¹	Switched Ground (reverse pol. proof)
7	PCOS	Input Cosine Signal +
8	NCOS	Input Cosine Signal -
9	PWR	Controlled Power Supply Output (high-side current source)
10	SDA	Serial E2PROM Interface, data line
11	SCL	Serial E2PROM Interface, clock line
12	NB	Incremental Output B-
13	B	Incremental Output B+
14	NA	Incremental Output A-
15	A	Incremental Output A+
16	GND	Ground
17	VDD	+4.3 ... 5.5 V Supply Voltage
18	NZ	Incremental Index Output Z-
19	Z	Incremental Index Output Z+
20	NERR	Alarm Message and Test Signal Output (e.g. index enable signal Zin)

¹ It is advisable to connect a bypass capacitor of about 100 nF (up to 1 µF max.) close to the chip's analog supply terminals.

ABSOLUTE MAXIMUM RATINGS

These ratings do not imply operating conditions; functional operation is not guaranteed. Beyond these ratings device damage may occur.

Item No.	Symbol	Parameter	Conditions	Min. Max.		Unit
				Min.	Max.	
G001	V()	Voltage at VDD, A, NA, B, NB, Z, NZ, SCL, SDA, PWR		-6	6	V
G002	V()	Voltage at NERR		-6	8	V
G003	V()	Voltage Pin vs. Pin			6	V
G004	V()	Voltage at PSIN, NSIN, PCOS, NCOS, PZERO, NZERO, SCL, SDA		-0.3	VDDS +0.3	V
G005	I(VDD)	Current in VDD		-20	400	mA
G006	I()	Current in VDDS, GNDS		-50	50	mA
G007	I()	Current in PSIN, NSIN, PCOS, NCOS, PZERO, NZERO, SCL, SDA, NERR		-20	20	mA
G008	I()	Current in A, NA, B, NB, Z, NZ		-100	100	mA
G009	I(PWR)	Current in PWR		-100	20	mA
G010	Vd()	ESD Susceptibility at all pins	HBM, 100 pF discharged through 1.5 kΩ		2	kV
G011	Tj	Junction Temperature		-40	150	°C
G012	Ts	Storage Temperature		-40	150	°C

THERMAL DATA

Operating Conditions: VDD = 4.3...5.5 V

Item No.	Symbol	Parameter	Conditions	Min. Typ. Max.			Unit
				Min.	Typ.	Max.	
T01	Ta	Operating Ambient Temperature Range		-25		100	°C

All voltages are referenced to pin GNDS unless otherwise stated.

All currents flowing into the device pins are positive; all currents flowing out of the device pins are negative.

ELECTRICAL CHARACTERISTICS

Operating Conditions: VDD = 4.3...5.5 V, T_j = -40 °C...125 °C, IBN calibrated to 200 μA, unless otherwise noted.

Item No.	Symbol	Parameter	Conditions				Unit
				Min.	Typ.	Max.	
General							
001	V(VDD)	Permissible Supply Voltage	Load current I(VDDS) to 10 mA Load current I(VDDS) to 20 mA	4.3 4.5		5.5 5.5	V V
002	I(VDD)	Supply Current	T _j = -40...125 °C, no load T _j = 27 °C, no load		12	25	mA mA
003	VDDon	Turn-on Threshold VDD		3.6	4.0	4.3	V
004	VDDoff	Turn-off Threshold VDD		3.0	3.5	3.8	V
005	VDDhys	Turn-on Threshold Hysteresis		0.4			V
006	Vcz(j)hi	Clamp Voltage hi at all pins				11	V
007	Vc(j)hi	Clamp Voltage hi at inputs SCL, SDA	Vc(j)hi = V() - V(VDD), I() = 1 mA	0.4		1.5	V
008	Vc(j)hi	Clamp Voltage hi at inputs PSIN, NSIN, PCOS, NCOS, PZERO, NZERO	Vc(j)hi = V() - V(VDD), I() = 4 mA	0.3		1.2	V
009	VC(j)lo	Clamp Voltage lo at all pins	I() = -4 mA	-1.2		-0.3	V
010	Irev(VDD)	Reverse-Polarity Current VDD vs. GND	V(VDD) = -5.5V...-4.3 V	-1		1	mA
Inputs and Signal Conditioning: PSIN, NSIN, PCOS, NCOS, PZERO, NZERO							
101	Vin()sig	Permissible Input Voltage Range	RSC, RZ = 0x1 RSC, RZ = 0x9	0.75 0		VDDS - 1.5 VDDS	V V
102	Iin()sig	Permissible Input Current Range	RSC(0), RZ(0) = 0, BIASSC = 0 RSC(0), RZ(0) = 0, BIASSC = 1	-300 10		-10 300	μA μA
103	Iin()	Input Current	RSC, RZ = 0x1	-10		10	μA
104	Rin()	Input Resistance vs. VREFin()	Nominal values following Table 8	70	100	130	%
105	TCRin()	Input Resistance Temperature Coefficient			0.15		%/K
106	VREFin()	Input Reference Voltage	No load, nominal values following Table 9	90	100	110	%
107	G	Gain Factor (Coarse x Fine)	RSC(3), RZ(3) = 0, GRx = 0x0, GFx = 0x00 RSC(3), RZ(3) = 0, GRx = 0x7, GFx = max. RSC(3), RZ(3) = 1, GRx = 0x0, GFx = 0x00 RSC(3), RZ(3) = 1, GRx = 0x7, GFx = max.		2 100		
108	G-LSB	Least Significant Gain Factor Cal. Step	Sine channel Cosine channel Zero channel		1.015 1.06 1.06		
109	G-INL	Integral Non-Linearity of Gain Factor Cal.		-1		1	LSB
110	GR-CR	S/C-Chan. Gain Ratio Calibration Range	GFC = 0x10, GFS = 0x00...0xFF	39		255	%
111	Vin()diff	Recommended Diff. Input Signal Level	Vin()diff = V(PCHx) - V(NCHx); RSC, RZ ≠ 0x9 RSC, RZ = 0x9	10 40		500 2000	mVpp mVpp
112	Vin()os	Input Offset Voltage	Referenced to side of input pins		25		μV
113	OFS/C-CR	S/C Offset Calibration Range	Referenced to source VOSSC; ORS, ORC = 00 ORS, ORC = 01 ORS, ORC = 10 ORS, ORC = 11		±100 ±200 ±600 ±1200		%V() %V() %V() %V()
114	OFS/C-LSB	Least Significant S/C-Offset Cal. Step	Referenced to source VOSSC; ORS, ORC = 00		0.79		%
115	OFZ-LSB	Least Significant Z-Offset Cal. Step	Referenced to VOSZ; ORZ = 00		3.2		%
116	OFx-INL	Integral Non-Linearity of Offset Cal.		-5		5	LSB
117	PH-CR	S/C Phase Calibration Range			±20		°

ELECTRICAL CHARACTERISTICS

Operating Conditions: VDD = 4.3...5.5 V, T_j = -40 °C...125 °C, IBN calibrated to 200 μA, unless otherwise noted.

Item No.	Symbol	Parameter	Conditions	Min.	Typ.	Max.	Unit
118	PH-LSB	Least Significant S/C Phase Cal. Step			0.63		°
119	PH-INL	Integral Non-Linearity of S/C Phase Cal.		-0.8		0.8	°
120	fin(max)	Permissible Max. Inp. Frequency	with interpolation of x1, x2	200 500			kHz kHz
Sine-to-Digital Conversion							
201	AAabs	Absolute Angle Accuracy (following calibration)	Referred to 360 deg input signal, ideal and quasi-stable input signals, SELHYS = 0		1	2	°
202	AArel	Relative Angle Accuracy	Referred to A/B output period, ideal and quasi-stable input signals	-10		+10	%
203	AAR	Absolute Angle Repeatability	See 201; VDD = const., T _j = const.		0.2		°
Output Line Drivers: A, NA, B, NB, Z, NZ							
501	Vs(hi)	Saturation Voltage hi	Vs(hi) = VDD - V(); I() = -20 mA			400	mV
502	Vs(lo)	Saturation Voltage lo	I() = 20 mA			400	mV
503	Isc(hi)	Short-Circuit Current hi		-60	-40	-20	mA
504	Isc(lo)	Short-Circuit Current lo		20	40	60	mA
505	Iik(tri)	Tristate Leakage Current	TRIHL(1:0) = 11		20	100	μA
506	tr()	Rise Time hi	RL = 100 Ω to GNDS; SSR(1:0) = 01 SSR(1:0) = 10	5 20		40 140	ns ns
507	tf()	Rise Time lo	RL = 100 Ω to VDD; SSR(1:0) = 01 SSR(1:0) = 10	5 30		40 140	ns ns
508	Ri(cal)	Source Impedance	With calibration modes		2.5	4	kΩ
509	I(cal)	Permissible Load Current	With calibration modes	-3		3	μA
510	Iik()	Leakage Current with Reversed Supply Voltage				100	μA
511	MTD()	Min. Phase Distance Tolerance	referred to nominal value	-25		+25	%
Controlled Power Supply: PWR							
601	Vs(hi)	Saturation Voltage hi	Vs(hi) = VDD - V(); ADJ(8:0) = 0x19F, I() = -5 mA ADJ(8:0) = 0x1BF, I() = -10 mA ADJ(8:0) = 0x1DF, I() = -25 mA ADJ(8:0) = 0x1FF, I() = -40 mA			1 1 1 1.2	V V V V
602	Isc(hi)	Short-Circuit Current hi	V() = 0...VDD - 1 V; ADJ(8:0) = 0x19F ADJ(8:0) = 0x1BF ADJ(8:0) = 0x1DF V(PWR) = 0...VDD - 1.2 V; ADJ(8:0) = 0x1FF	-10 -20 -50 -100		-4 -8 -20 -40	mA mA mA mA
Bias Current Source and Reference Voltages							
801	VBG	Bandgap Reference Voltage		1.2	1.25	1.3	V
802	VPAH	Reference Voltage Source		45	50	55	%VDD5
803	VOSref	S/C a. Z Offset Cal. Reference Voltage Source		450	500	550	mV
804	IBN	Bias Current Source	CFGIBN = 0x0 CFGIBN = 0xF calibrated at T _j = 25 °C	110 180		370 220	μA μA μA

ELECTRICAL CHARACTERISTICS

Operating Conditions: VDD = 4.3...5.5 V, T_J = -40 °C...125 °C, IBN calibrated to 200 μA, unless otherwise noted.

Item No.	Symbol	Parameter	Conditions	Min.	Typ.	Max.	Unit
Alarm Message Output: NERR							
B01	Vs() _{lo}	Saturation Voltage I _o	Versus GND; I() = 4 mA			0.4	V
B02	Isc() _{lo}	Short-Circuit Current I _o	Versus GND; V(NERR) ≤ VDD V(NERR) > VTMon	4	5 2	8	mA mA
B03	Ipu()	Pull-Up Current Source	V() = 0...VDD - 1 V; EPU = 1	-400	-300	-200	μA
B04	VTMon	Setup Preparation Threshold	Increasing voltage at NERR			VDD +2	V V
B05	VTMoff	Setup Trigger Threshold	Decreasing voltage at NERR	VDD + 0.5			V
B06	VTMhys	Setup Trigger Threshold Hysteresis	VTMhys = VTMon - VTMoff	0.15	0.3		V
B07	dt() _{lo}	Alarm Indication Time Tolerance	Nominal time see Table 37	-25		+25	%
Supply Switch and Reverse Polarity Protection: VDDS, GNDS							
C01	I(VDDS)	Permissible VDDS Load Current		-20		0	mA
C02	Vs()	Saturation Voltage VDDS vs. VDD	Vs() = VDD - V(VDSS); I(VDDS) = -20 mA			250	mV
C03	Vs()	Saturation Voltage GNDS vs. GNDS	Vs() = V(GNDS) - GND; I(GNDS) = 20 mA			250	mV
C04	C()	Backup Capacitor Analog Supply VDDS vs. GNDS		100			nF
Serial EEPROM Interface: SDA, SCL							
D01	Vs() _{lo}	Saturation Voltage I _o	I() = 4 mA			400	mV
D02	Isc()	Short-Circuit Current I _o		4		75	mA
D03	Vt() _{hi}	Input Threshold Voltage hi				2	V
D04	Vt() _{lo}	Input Threshold Voltage I _o		0.8			V
D05	Vt() _{hys}	Input Threshold Hysteresis	Vt() _{hys} = Vt() _{hi} - Vt() _{lo}	300	500		mV
D06	Ipu()	Input Pull-Up Current	V() = 0...VDDS - 1 V	-600	-300	-60	μA
D07	Vpu()	Input Pull-Up Voltage	V() = VDDS - V(); I() = -5 μA			0.4	V
D08	f(SCL)	Clock Frequency SCL		60	80	100	kHz
D09	tbusy() _{cfg}	Configuration Sequence	Single reading sequence		36	48	ms
Temperature Monitoring							
E01	Toff	Shutdown Temperature			155		°C
E02	Thys	Shutdown Temperature Hysteresis			15		°C

DEVICE SETUP

Register Map	Page 8	Controlled Power Supply	Page 16
		ADJ: PWR Output Adjustment	
Serial EEPROM Interface	Page 10	Z Signal Path	Page 15
DEVID: Device ID of config. EEPROM (0x50)		GRZ: Z Channel Gain Range	
CHKSUM: CRC of chip configuration data (address range 0x00 to 0x2E)		GFZ: Gain Factor Zero	
Bias Current Source	Page 11	ORZ: Offset Range Zero	
CFGIBN: Bias Trimming		OFZ: Offset Factor Zero	
Operating Modes	Page 11	VOSZ: Z Channel Offset Reference Source	
MODE: Mode select		Zero Signal Setup	Page 18
Input Configurations	Page 12	CFGZ: Zero Signal Logic	
INMODE: Diff./Single-Ended Input Signal Mode		CFGZPOS: Zero Signal Positioning	
RSC: I/V Mode and Input Resistance, S/C Channel		Sine-to-Digital Conversion	Page 17
BIASSC: Bias Voltage, S/C Channel		SELRES: Converter Resolution	
RZ: I/V Mode and Input Resistance, Z Channel		SELHYS: Converter Hysteresis	
BIASZ: Bias Voltage, Z Channel		Output Settings	Page 18
S/C Signal Path	Page 13	MTD: Minimum Phase Distance	
GRSC: S/C Channel Gain Range		SSR: Output Slew Rate	
GFS: Gain Factor Sine		TRIHL: Output Drive Mode	
GFC: Gain Factor Cosine		Error Monitoring and Alarm Output	Page 19
ORS: Offset Range Sine		EMTD: Minimal Alarm Indication Time	
ORC: Offset Range Cosine		EPH: Alarm Output Logic	
OFS: Offset Factor Sine		EPU: Alarm Output Pull-Up Enable	
OFC: Offset Factor Cosine		EMASKA: Error Event Mask for Alarm Indication	
VOSSC: S/C Channel Offset Reference Source		EMASKO: Error Event Mask for Driver Shutdown	
VDCS: Intermediate Voltage Sine			
VDCC: Intermediate Voltage Cosine			
PHSC: S/C Channel Phase Correction			

iC-MG

8-Bit Sin/Cos INTERPOLATION IC WITH RS422 DRIVER



Rev D3, Page 8/22

Register Map								
Addr	Bit 7	Bit 6	Bit 5	Bit 4	Bit 3	Bit 2	Bit 1	Bit 0
Serial EEPROM Interface								
0x00	0	DEVID(6:0)						
Bias Current Source								
0x01	CFGIBN(3:0)			0	0	0	0	
Operating Modes								
0x02	1	1	0	0	MODE(3:0)			
Input Configurations								
0x03	0	0	0	0	0	INMODE	1	1
S/C Signal Path, Input Configuration								
0x04	GFC(4:0)				GRSC(2:0)			
0x05	GFS(3:0)			0	0	0	0	
0x06	VDCS(0)	0	0	0	0	GFS(6:4)		
0x07	0	0	0	VDCS(5:1)				
0x08	ORS(0)	VDCC(5:0)					0	
0x09	OFS(3:0)			0	0	0	ORS(1)	
0x0A	0	0	ORC(1:0)		OFS(7:4)			
0x0B	OFC(6:0)						0	
0x0C	PHSC(2:0)		0	0	0	0	OFC(7)	
0x0D	0	0	0	1	1	PHSC(5:3)		
0x0E	1	BIASSC	VOSSC(1:0)		RSC(3:0)			
Controlled Power Supply								
0x0F	ADJ(0)	0	0	1	0	0	0	0
0x10	ADJ(8:1)							
Z Signal Path, Input Configuration								
0x11	GFZ(4:0)				GRZ(2:0)			
0x12	OFZ(5:0)					ORZ(1:0)		
0x13	0	BIASZ	VOSZ(1:0)		RZ(3:0)			
Error Monitoring								
0x14	EMASKA(7:0)							
0x15	1	0	EMTD(2:0)			EPH	0	EMASKA(8)
0x16	EMASKO(7:0)							
0x17	0	0	0	0	0	EPU	0	EMASKO(8)
0x18	0	0	0	0	0	0	0	0
Zero Signal Setup								
0x19	0	0	0	0	CFGZ(3:0)			
0x1A	CFGZPOS(7:0)							
Sine-to-Digital Conversion, Minimum Phase Distance								
0x1B	SELRES(7:0)							
0x1C	0	SELRES(14:8)						
0x1D	MTD(3:0)				SELHYS(3:0)			
Output Settings								
0x1E	0	0	1	0	SSR(1:0)		TRIDL(1:0)	

Register Map								
Addr	Bit 7	Bit 6	Bit 5	Bit 4	Bit 3	Bit 2	Bit 1	Bit 0
Reserved Memory Section 1								
0x1F	Internal use only; keep all bits at zero for initialization							
0x20	Internal use only; keep all bits at zero for initialization							
Reserved Memory Section 2								
0x21	0	0	0	0	1	0	0	0
0x22	Internal use only; keep all bits at zero for initialization							
0x23	Internal use only; keep all bits at zero for initialization							
0x24	Application-specific OEM data							
0x25	Application-specific OEM data							
0x26	Application-specific OEM data							
0x27	Application-specific OEM data							
0x28	Application-specific OEM data							
0x29	Application-specific OEM data							
0x2A	Application-specific OEM data							
0x2B	Application-specific OEM data							
0x2C	Application-specific OEM data							
0x2D	Application-specific OEM data							
0x2E	Application-specific OEM data							
CRC Data								
0x2F	CHKSUM(7:0)							
Reserved Memory Section 3								
0x30	Internal use only; keep all bits at zero for initialization							
0x31	Internal use only; keep all bits at zero for initialization							
0x32	Internal use only; keep all bits at zero for initialization							
0x33	Internal use only; keep all bits at zero for initialization							
Notes	All 0 and 1 entries are mandatory for device initialization							

Table 4: Register Map

SERIAL EEPROM INTERFACE**External EEPROM**

The serial configuration interface consists of the two pins SCL and SDA and enables read access to a serial I²C EEPROM. This EEPROM must comply with the following specifications:

Operation from 3.3 V to 5 V

Min. size 512 bit, 64x8

Max. size 8 kbit, 1024x8

device ID 0x50 = 1010 000 (without R/W bit)

device ID 0xA0 = 1010 0000 (with R/W bit of 0)

Recommended devices:

Atmel AT24C01, ST M24C01, ST M24C02 (2K), ROHM BR24L01A-W, BR24L02-W

NOTE:

Devices ignoring A2...0 address bits are not suitable.
Devices using a Word Address with don't care bits are not suitable.

Power Up Configuration

Once the supply has been switched on iC-MG reads the configuration from the external EEPROM which has the device ID 0x50. Bit errors in the 0x00 to 0x2F memory area are monitored by the CRC deposited in register CHKSUM (see program example; the polynomial used is "1 0001 1101"). Should an error occur while the data is being read in the readin process is repeated; the system aborts following a fourth faulty attempt and tristates the output drivers.

Triggering Reboot

As an alternative to a power down reset iC-MG can be triggered to again read in the configuration via pin NERR. To this end pin voltage V(NERR) must initially exceed threshold voltage VTMon (Elec. Char. item B04). Once the pin voltage has dropped to below VT-Moff (Elec. Char. item B05) iC-MG starts communicating with the EEPROM. The device ID stored in register DEVID is used to address the EEPROM.

NOTE:

Connecting pin NERR to a cable can not be recommended as this pin is sensitive to the function described above.

Example of CRC Calculation Routine

```
unsigned char ucDataStream = 0;
int iCRCPoly = 0x11D;
unsigned char ucCRC=0;
int i = 0;

ucCRC = 1; // start value !!!
for (iReg = 0; iReg<47; iReg ++ )
{
    ucDataStream = ucGetValue(iReg);
    for (i=0; i<=7; i++) {
        if ((ucCRC & 0x80) != (ucDataStream & 0x80))
            ucCRC = (ucCRC << 1) ^ iCRCPoly;
        else
            ucCRC = (ucCRC << 1);
        ucDataStream = ucDataStream << 1;
    }
}
```

OPERATING MODES

MODE		Adr 0x02, bit 3:0						
Code	Operating Mode	Pin A	Pin NA	Pin B	Pin NB	Pin Z	Pin NZ	NERR
0x00	ABZ Mode	A	NA	B	NB	Z	NZ	NERR
0x01	Calibration Mode 1		reserved	reserved	IBN	Pz	Nz	
0x02	Calibration Mode 2	Ps	Ns	Pc	Nc	VDCs	VDCc	
0x0B	System Test Mode*	A ₄	A ₈	B ₄	B ₈	Z _{In}		NERR
* Note: Setting SELRES = 0x1B0 and SELHYS = 0xF is mandatory.								

Table 5: Operating Modes

iC-MG has several modes of operation which are set via MODE. In addition to the primary operational mode *ABZ Mode* for the output of encoder quadrature signals via differential line drivers both analog and digital calibration signals can be selected which can be used to set up the integrated signal conditioning unit.

ABZ Mode

In *ABZ Mode* complementary signals are always output. Here, converter setting SELRES determines the A/B pulse count and zero signal settings CFGZ and CFGPOS the width and position of the generated zero signal (dependent on an enable from Z_{In}).

Calibration Mode 1, Mode 2

So that signal amplitudes and offset voltages can be calibrated internal analog signals are switched to the output pins directly and the digital line drivers shut down. Due to internal resistances of up to 4 kΩ a high-impedance measurement is advisable.

In *Calibration Mode 1* bias current source IBN and the internal zero signal are available after the input amplifier (signals PCH-Z and NCH-Z). The calibration of IBN is described on page 11, that of the zero signal on page 15.

In *Calibration Mode 2* the conditioned sine and cosine signals are output (signals PCH-S, NCH-S, PCH-C and NCH-C). Additionally, the intermediate potentials of both input channels are also available, with VDCs for the sine and VDCC for the cosine channel. The calibration of these intermediate voltages is described on page 14.

System Test Mode

System Test Mode permits the fine adjustment of the sine and cosine input signals using digital signals. The registers mentioned above must also be set for this mode.

The A₄ duty cycle acts as a measure for the offset of the sine channel, with the B₄ duty cycle a measure for that of the cosine channel. The duty cycle at A₈ represents the phase error between sine and cosine or any deviation from the ideal value of 90°. The calibration of differing signal amplitudes enables the duty cycle at B₈. A duty cycle of 50 % is the calibration target for all digital test signals.

Signal Z_{In} is the unmasked digitized zero signal.

BIAS CURRENT SOURCE CALIBRATION

The calibration of the bias current source in operation mode *Calibration 1* is prerequisite for adherence to the given electrical characteristics and also instrumental in the determination of the chip timing (e.g. clock frequency at SCL). For setup purposes the IBN bias current is measured using a 10 kΩ resistor by pin VDDS connected to pin NB. The setpoint is 200 μA which is equivalent to a voltage drop of 2 V.

NOTE: The measurement delivers a false reading when outputs are tristate (due to a configuration error after cycling power, for instance).

CFGIBN		Adr 0x01, bit 7:4	
Code k	IBN ~ $\frac{31}{39-k}$	Code k	IBN ~ $\frac{31}{39-k}$
0x0	79 %	0x8	100 %
0x1	81 %	0x9	103 %
0x2	84 %	0xA	107 %
0x3	86 %	0xB	111 %
0x4	88 %	0xC	115 %
0x5	91 %	0xD	119 %
0x6	94 %	0xE	124 %
0x7	97 %	0xF	129 %

Table 6: Bias Current Source Calibration

INPUT CONFIGURATIONS

All input stages are configured as instrumentation amplifiers and thus directly suitable for differential input signals. Single-ended input signals can be processed by applying the input signals' reference voltage to the negative inputs, respectively to NZERO, when using the single-ended input configuration.

Both voltage and current signals can be accepted as input signals. For selection, use registers RSC and RZ.

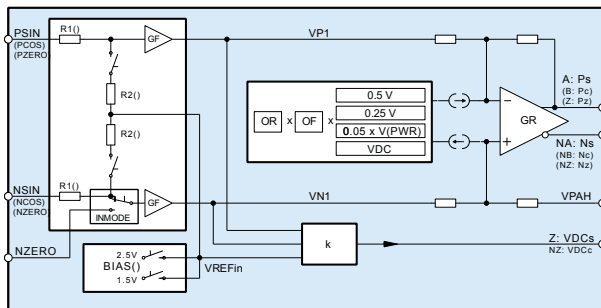


Figure 1: Input instrumentation amplifier and signal conditioning

Voltage Signals

In voltage mode (V Mode), an optional voltage divider can be selected for high input amplitudes. This voltage divider reduces the input signal's amplitude to 25 % of the original. The internal circuit corresponds to the circuit in current mode, just the in-line resistor R1 is altered.

Current Signals

In current mode (I Mode), an internal resistor R2() becomes active at each input, converting the current signal into a voltage signal. The effective input resistance Rin() is now determined by the sum of R1 and R2, whereas R2 is linking to the selectable reference voltage VREFin.

Note: The input circuit is not suitable for back-to-back photodiodes.

INMODE	
Code	Function
0	Differential input signals
1	Single-ended input signals*
Note	* Input NZERO is reference for all inputs.

Table 7: Input Signal Mode

RSC		RZ	
Adr 0x0E, bit 3:0		Adr 0x13, bit 3:0	
Code	In-line R1()	Internal R2()	I/V Mode
-000	0.1 kΩ	1.6 kΩ	Current input
-010	0.2 kΩ	2.3 kΩ	Current input
-100	0.3 kΩ	3.2 kΩ	Current input
-110	0.3 kΩ	4.6 kΩ	Current input
0—1	3.5 kΩ	High impedance	Voltage input 1:1
1—1	15 kΩ	5 kΩ	Voltage input 4:1*
Notes	Nominal values; Rin = R1() + R2(); for tolerances refer to Elec.Char. No. 104, and 105. For single-ended signals identical settings of RSC and RZ are required. *) VREFin is the voltage divider's footpoint. Input currents may be positive or negative (Vin > VREFin, or Vin < VREFin)		

Table 8: I/V Mode and Input Resistance

BIASSC	
BIASZ	
Code	Function
0	VREFin = 2.5 V for low-side current sinks (e.g. photodiodes with common anode at GNDS)
1	VREFin = 1.5 V for high-side current-sources (e.g. photodiodes with common cathode at VDD5) for voltage sources versus ground (e.g. iC-SM2, Wheatstone sensor bridges)

Table 9: Input Bias Voltage

S/C SIGNAL PATH and CALIBRATION

The analog voltage signals needed to calibrate the sine signals can be measured in *Calibration Mode 2*. The characteristic digital parameters for offset, amplitude and phase errors can be measured in *System Test Mode*.

S/C Gain Settings

The gain is set in four stages:

1. The sensor supply tracking is shut down and the constant current source for the PWR output set to a suitable output current (register ADJ; current value close to the later operating point).
2. The coarse gain is selected so that differential signal amplitudes of ca. 1 Vpp are produced internally (signal PCHx vs. NCHx for the sine or cosine channel).
3. Using fine gain factor GFC the cosine signal amplitude is then adjusted to 1 Vpp.
4. The sine signal amplitude can then be calibrated to the cosine signal amplitude via fine gain factor GFS.

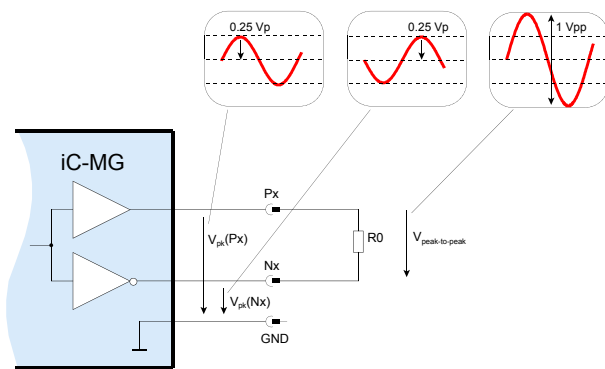


Figure 2: Definition of 1 Vpp signal. Termination R0 must be high-ohmic during all *Test* and *Calibration* modes.

GRSC		
Adr 0x04, bit 2:0		
Code	Range with RSC=0x9	Range with RSC≠0x9
0x0	0.5	2.0
0x1	1.0	4.1
0x2	1.3	5.3
0x3	1.7	6.7
0x4	2.2	8.7
0x5	2.6	10.5
0x6	3.3	13.2
0x7	4.0	16.0

Table 10: S/C-Channel Gain Range

GFC	
Adr 0x04, bit 7:3	
Code	Factor
0x00	1.00
0x01	1.06
...	$6.25^{\frac{GFC}{31}}$
0x1F	6.25

Table 11: Gain Factor Cosine

GFS	
Adr 0x06, bit 2:0, Adr 0x05, bit 7:4	
Code	Factor
0x00	1.0
0x01	1.015
...	$6.25^{\frac{GFS}{124}}$
0x7F	6.53

Table 12: Gain Factor Sine

S/C Offset Calibration

To calibrate the offset the reference source must first be selected using VOSSC. Two fixed voltages and two dependent sources are available for this purpose. The fixed voltage sources should be selected for external sensors which already provide stable, self-regulating signals.

For the operation of photosensors in optical encoders, iC-MG tracks changes in offset voltages via the signal-dependent source VDC when used in conjunction with the controlled power supply output supplying the encoder LED (pin PWR). The VDC potential automatically tracks higher DC photocurrents. To this end intermediate potentials VDCCS and VDCC must be adjusted to a minimal AC ripple using the selectable k factor (this calibration must be repeated when the gain setting is altered).

The feedback of pin voltage V(PWR) fulfills the same task as source VDC when MR bridge sensors are supplied by the controlled power supply output. In this instance the VDC sources do not need adjusting.

VOSSC	Adr 0x0E, bit 5:4
Code	Type of source
0x0	Feedback of PWR pin voltage: V(PWR)/20 for supply-dependent differential voltage signals for Wheatstone sensor bridges to measure VDDS
0x1, 0x2	Fixed reference of 500 mV, 250 mV for single-ended current or voltage signals for single-ended or differential stabilized signals (regulated sensor or waveform generator)
0x3	Self-tracking sources VDCCS, VDCC (125...250 mV) for differential current signals of photodiode arrays

Table 13: S/C-Channel Offset Reference Source

VDCCS	Adr 0x07, bit 4:0; Adr 0x06, bit 7
VDCC	Adr 0x08, bit 6:1
Code	$VDC_i = (1 - k) \cdot VPI + k \cdot VNI$
0x00	$k = 1/3$
0x01	$k = 0.3386$
...	$k = 1/3 + 1/3 \cdot Code/63$
0x20	$k = 0.5026$ (center setting)
...	...
0x3F	$k = 2/3$
Notes	Adjustment is required only if VOSSC = 0x3.

Table 14: S/C-Channel Intermediate Voltages

The calibration range for the S/C offset is dependent on the selected VOSSC source and is set using ORS and ORC. Both sine and cosine signals are then calibrated using factors OFS and OFC. The calibration target is reached when the DC fraction of the differential signals PCHx versus NCHx is zero.

ORS	Adr 0x09, bit 0; Adr 0x08, bit 7
ORC	Adr 0x0A, bit 5:4
Code	Range
00	x1
01	x2
10	x6
11	x12

Table 15: S/C-Channel Offset Range

OFS	Adr 0xA, bit 3:0; Adr 0x9, bit 7:4	OFC	Adr 0xC, bit 0; Adr 0xB, bit 7:1
Code	Factor	Code	Factor
0x00	0	0x80	0
0x01	0.0079	0x81	-0.0079
...
0x7F	1	0xFF	-1

Table 16: S/C-Channel Offset Factors

S/C Phase Correction

If the phase shift between the sine and cosine signal deviates from the ideal 90° this can be compensated for using parameter PHSC. Following this the calibration of the amplitude compensation, intermediate potentials and offset voltages may have to be corrected.

PHSC	Adr 0xD, bit 2:0; Adr 0xC, bit 7:5		
Code	Correction angle	Code	Correction angle
0x00	+0°	0x20	-0°
0x01	+0.65°	0x21	-0.65°
...
0x1F	+20.2°	0x3F	-20.2°

Table 17: Phase Correction

Z SIGNAL PATH and CALIBRATION

The analog voltage signals needed to calibrate the zero signal are available in *Calibration Mode 1*. In addition it is possible to check the phase position of the PZE-RO/NZERO enable signal in *System Test Mode*.

Gain Settings

Parallel to the conditioning process for the S/C signals the zero signal gain is also set step by step:

1. The tracking of the sensor supply is shut down and the constant current source for the PWR output set to a suitable output current (register ADJ; current value close to the later operating point).
2. Coarse gain is selected so that differential signal amplitudes of ca. 1 Vpp are generated internally (signal PCHx vs. NCHx).
3. GFC then permits fine gain adjustment to 1 Vpp.

GRZ Adr 0x11, bit 2:0		
Code	Range with RZ=0x9	Range with RZ≠0x9
0x0	0.5	2.0
0x1	1.0	4.1
0x2	1.3	5.3
0x3	1.7	6.7
0x4	2.2	8.7
0x5	2.6	10.5
0x6	3.3	13.2
0x7	4.0	16.0

Table 18: Z-Channel Gain Range

GFZ Adr 0x11, bit 7:3	
Code	Factor
0x00	1.00
0x01	1.06
...	$6.25 \frac{GFZ}{31}$
0x1F	6.25

Table 19: Z-Channel Gain Factor

Offset Calibration

To calibrate the offset the source of supply must first be selected using VOSZ (see S/C Offset Calibration for further information). For the zero signal path the signal dependent source is VDCS.

VOSZ Adr 0x13, bit 5:4	
Code	Type of source
0x0	$0.05 \cdot V(PWR)$
0x1	0.5 V
0x2	0.25 V
0x3	VDC= VDCS

Table 20: Z-Channel Offset Reference Source

ORZ Adr 0x12, bit 1:0	
Code	Range
00	x1
01	x2
10	x6
11	x12

Table 21: Z-Channel Offset Range

OFZ Adr 0x12, bit 7:2			
Code	Factor	Code	Factor
0x00	0	0x20	0
0x01	0.032	0x21	-0.032
...
0x1F	1	0x3F	-1

Table 22: Z-Channel Offset Factor

SIGNAL LEVEL CONTROL and SIGNAL MONITORING

Via the controlled sensor current source (pin PWR) iC-MG can keep the input signals for the internal sine-to-digital converter constant regardless of temperature and aging effects by tracking the sensor supply.

Both the controller operating range and input signal amplitude for the controller are monitored and can be enabled for error messaging. A constant current source can be selected for the PWR output when setting the signal conditioning; the current range for the highside current source is adjusted using ADJ(6:5).

ADJ (6:5) Adr 0x10, bit 5:4	
Code	Function
00	5 mA range
01	10 mA range
10	25 mA range
11	50 mA range

Table 23: PWR Output Current Range (applies for control modes and constant current source)

ADJ (8:7) Adr 0x10, bit 7:6	
Code	Function
00	Control to sine/cosine square
01	Control to sum of sine/cosine
10	Constant current source
11	Not permitted

Table 24: PWR Output Operating Mode

Notice: Excessive input signals or internal signal clipping can interfere control operation, so that the preset operating point may not be reached (upon power up) or maintained (upon disturbances). Use Loss-of-Signal Error and PWR Control Out-of-Range Error (at max. limit) for monitoring and configure EMASKA accordingly.

ADJ (4:0) Adr 0x10, bit 3:0; Adr 0x0F, bit 7	
Code	Square control ADJ(8:7) = 00
0x00	Vpp() ca. 300 mV (60 %)
0x01	Vpp() ca. 305 mV (61 %)
...	... $\approx 300 \text{ mV} \frac{77}{77 - (1.25 * \text{Code})}$
0x19	Vpp() ca. 500 mV (98 %)
...	...
0x1F	Vpp() ca. 600 mV (120 %)

Table 25: Setpoint Square Control (internal sin/cos signal amplitude)

In operation with the active square control mode ADJ(4:0) sets the internal signal amplitudes according to the relation $(\text{PCHS-NCHS})^2 + (\text{PCHC-NCHC})^2$; these should be set to 0.25 Vpk.

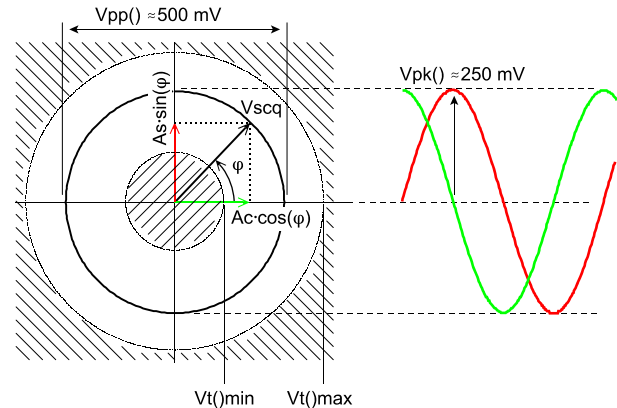


Figure 3: Internal signal monitoring and test signals in Calibration 2 mode (example for ADJ(8:0) = 0x19).

Signal monitoring and limits			
ADJ (4:0)	Vt()min ... max	ADJ (4:0)	Vt()min ... max
0x00	120 mV...390 mV	0x19	200 mV ...650 mV
0x01	122 mV...397 mV
...	...	0x1F	240 mV...780 mV

Table 26: Signal Monitoring (nominal values)

The signal monitoring limits are tracked according to ADJ (4:0) and fit for square control mode. When using sum control mode a different operating point can be required for which the monitoring limits may not be suitable. In this case signal monitoring should be disabled via the error mask (see EMASKA etc.).

ADJ (4:0) Adr 0x10, bit 3:0; Adr 0x0F, bit 7	
Code	Sum control ADJ(8:7) = 01
0x00	VDCS + VDCC ca. 245 mV
0x01	VDCS + VDCC ca. 249 mV
...	... $\approx 245 \text{ mV} \frac{77}{77 - (1.25 * \text{Code})}$
0x1F	VDCS + VDCC ca. 490 mV

Table 27: Setpoint Sum Control (DC value)

ADJ (4:0) Adr 0x10, bit 3:0; Adr 0x0F, bit 7	
Code	Constant current source ADJ(8:7) = 10
0x00	I(PWR) ca. 3.125% Isc(PWR)
0x01	I(PWR) ca. 6.25% Isc(PWR)
...	... $\approx 3.125\% * (\text{Code} + 1) * \text{Isc}(\text{PWR})$
0x1F	I(PWR) ca. 100% Isc(PWR)
Notes	See Elec. Char. No. 602 for Isc(PWR)

Table 28: Setpoint Current Source

SINE-TO-DIGITAL CONVERSION

SELRES Adr 0x1C, bit 6:0; Adr 0x1B, bit 7:0			
Code	Angle Steps (per period)	Interpolation Factor	Permiss. Input Frequency
0x00E0	4	x1	500 kHz
0x01B0	8	x2	500 kHz
0x0398	16	x4	200 kHz
0x0414	20	x5	200 kHz
0x078C	32	x8	125 kHz
0x090A	40	x10	100 kHz
0x0F86	64	x16	62.5 kHz
0x1305	80	x20	50 kHz
0x1804	100	x25	40 kHz
0x3102	200	x50	20 kHz

Table 29: Converter Resolution

SELHYS Adr 0x1D, bit 3:0	
Code	Function
0x0 to 0x1	Device test only
0x2	1 conversion increment ($\approx 1.8^\circ$)
0x3 to 0xD	1.5 to 6.5 conversion increments ($\approx 2.7^\circ$ - 11.7°)
0xE	1/2 angle step increment
0xF*	1 angle step increment
Notes	*) Permissible from 8 angle steps upwards.

Table 30: Converter Hysteresis

The programmable converter hysteresis is determined by SELHYS. It is set in multiples of the increment size and may have a maximum of 45° of the input signal period.

OUTPUT SETTINGS

Configuration of Output Drivers

The output drivers can be used as push-pull, lowside or highside drivers. TRIHL(1:0) selects the mode of operation. In order to avoid steep edges during transmission via short cables the slew rate can be reduced using SSR (tolerances as given in Electrical Characteristics).

TRIHL		Adr 0x1E, bit 1:0
Code	Function	
00	Push-pull operation	
01	Highside driver mode (P channel open drain)	
10	Lowside driver mode (N channel open drain)	
11	Not permitted	

Table 31: Output Drive Mode

SSR		Adr 0x1E, bit 3:2
Code	Function	
01	Nominal value 25 ns	
10	Nominal value 80 ns	
Note	Entries 00 and 11 are not permitted	

Table 32: Output Slew Rate

Minimum Phase Distance

The minimum phase distance for the A/B and Z output signals can be preselected using MTD(3:0). This setting limits the maximum possible output frequency for secure transmission to counters which are either unable to debounce noise spikes or only permit low input frequencies.

MTD		Adr 0x1D, bit 7:4
Code	Function	
0x8	200 ns	
0x9	400 ns	
...	...	
0xE	1.4 μ s	
0xF	1.6 μ s	
Note	Codes 0x0 to 0x7 are not permitted. All timing specifications are nominal values, see Elec. Char. No. 511 for tolerances.	

Table 33: Minimum Phase Distance

When selecting the minimum phase distance the slew rate setting of the RS422 output drivers and the length of cable used must be taken into consideration.

Zero Signal Positioning

The output of the zero pulse, generated internally, is based on an enable from Z_{in} which can be observed in *System Test Mode* and in *ABZ Mode* at pin NERR (via EMASKA= 0x010 and EMTD= 0x0). As the off-set calibration of the zero signal alters the signal width the correct position and width of signal Z_{in} should be checked before the digital configuration parameters are determined.

The zero pulse output position can be selected via CFGZPOS(6:0); the cycle count begins with the sine zero crossing. No zero pulse is output for all values which are either greater than or equal to the interpolation factor.

CFGZPOS		Adr 0x1A, bit 7:0
Bit	Function	
7	Enables the selection below	
6:0	Count of A/B period releasing the Z output	

Table 34: Zero Signal Positioning

CFGZ		Adr 0x19, bit 3:0
Code	Function	
1ddd	Enables Z= 1 with A= 1, B= 1	
d1dd	Enables Z= 1 with A= 1, B= 0	
dd1d	Enables Z= 1 with A= 0, B= 0	
ddd1	Enables Z= 1 with A= 0, B= 1	
Notes	d = don't care; any combination is permissible.	

Table 35: Zero Signal Logic

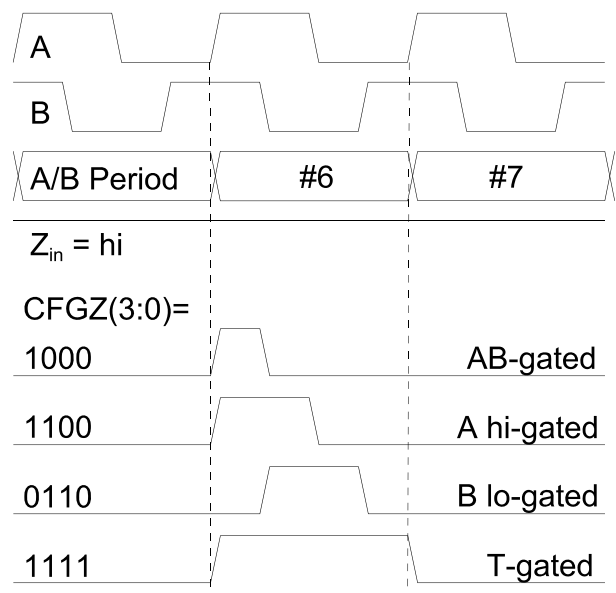


Figure 4: Zero Signal Gating Examples
(example for CFGZPOS(7)=1, CFGZPOS(6:0)=0x6)

ERROR MONITORING and ALARM OUTPUT

iC-MG monitors input signals, the internal interpolator and the controlled sensor supply via which the input signal levels are stabilized. Should the sensor supply tracking reach control limits this can be interpreted as an end-of-life message, for example.

Two separate error masks determine whether error events cause the RS422 output drivers to shutdown (mask EMASKO) or are signaled as an alarm via the current-limited open drain I/O pin NERR (mask EMASKA).

The display logic and minimum indication time are settable; an internal pull-up current source can be switched in. At the same time pin NERR has an input function to trigger a new configuration run (see Serial EEPROM Interface).

EPH		
Addr 0x15, bit 2		
Code	State on error	State w/o error
0*	active low	high impedance, with input function for a low-active system error;
1	high impedance	active low
Notes	*) Pin ERR is disabled during driver shutdown and cannot indicate errors in this case.	

Table 36: Alarm Output Logic

EMTD			
Addr 0x15, bit 5:3			
Code	Indication time	Code	Indication time
0x0	0 ms	0x4	50 ms
0x1	12.5 ms	0x5	62.5 ms
0x2	25 ms	0x6	75 ms
0x3	37.5 ms	0x7	87.5 ms

Table 37: Minimal Alarm Indication Time

EPU	
Addr 0x17, bit 2	
Code	Function
0	No internal pull-up active
1	Internal 300 µA pull-up source active

Table 38: Alarm Output Pull-Up Enable

EMASKA	
Adr 0x15, bit 0; Adr 0x14, bit 7:0	
Bit	Error event
8	Temporal tracking error (out-of-sync: position output differs from actual angle, e.g. after cycling power)
7	Loss of tracking due to excessive input frequency
6*	Configuration error (SDA or SCL pin error, no acknowledge signal from EEPROM or invalid check sum)
5	Excessive temperature warning
4	Ungated index enable signal Zin
3	PWR control out of range (at max. limit)
2	PWR control out of range (at min. limit)
1	Signal clipping (excessive input level)
0	Loss of signal (poor differential level**, wrong s/c phase)
Code	Function
1	Enable: event changes state of pin ERR (if EMASKO does not disable the output function).
0	Disable: event does not affect pin ERR.
Notes	*) Pin ERR can not pull low on configuration error, use high-active error logic instead (EPH = 1); **) Also due to excessive input signals or internal signal clipping.

Table 39: Error Event Mask for Alarm Output

Driver Shutdown

Driver shutdown is a precaution to protect iC-MG. Pin PWR is set to the 5 mA range, the line drivers and pin ERR are tristate during driver shutdown.

Driver shutdown due to overheating or due to a configuration error is always enabled. Configuration errors are SDA or SCL pin error, no acknowledge signal from EEPROM or invalid checksum. EMASKO is used program driver shutdown due to other error events.

EMASKO	
Adr 0x17, bit 0; Adr 0x16, bit 7:0	
Bit	Error event
8	Temporal tracking error (out-of-sync: position output differs from actual angle, e.g. after cycling power)
7	Loss of tracking due to excessive input frequency
6	Configuration error (always enabled)
5	Excessive temperature warning
4	System error: I/O pin NERR pulled to low by an external error signal (only permitted with EPH = 0)
3	PWR control out of range (at max. limit)
2	PWR control out of range (at min. limit)
1	Signal clipping (excessive input level)
0	Loss of signal (poor differential level**, wrong s/c phase)
Code	Function
1	Enable: event causes a driver shutdown
0	Disable: output drivers remain active
Notes	**) Also due to excessive input signals or internal signal clipping.

Table 40: Error Event Mask for Driver Shutdown

APPLICATION NOTES

Circuit example for 1 Vpp sensors

Figure 5 introduces the principle input wiring to 1 Vpp sensors. Here, resistor RS1 provides line termination, and serial resistors RS2 and RS4 are providing ESD and overvoltage protection together with iC-MG's internal clamping circuit.

Resistor RS3 reduces the incoming signal levels to one third, so that iC-MG can be operated at a total gain of x3. The filter capacitors can be adapted, either depending on the sensor's noise level, or in accordance with the desired maximum input frequency.

Using the analog ground GNDS for the filter circuit can be recommend; the cable shield should be linked to the external ground of the IC's power supply.

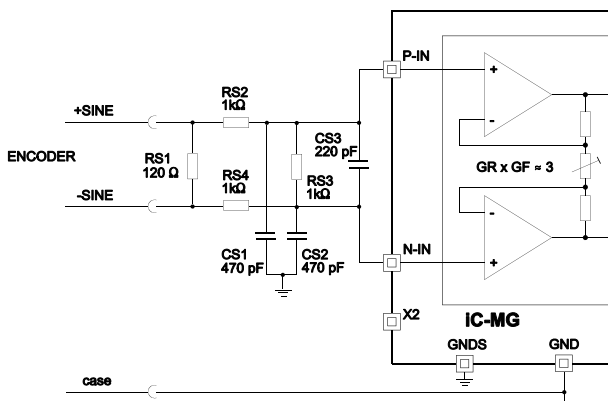


Figure 5: Principle input wiring for 1 Vpp sensors.

CS1	CS2	CS3	fc -3 dB
2.2 nF	2.2 nF	470 pF	ca. 115 kHz
470 pF	470 pF	470 pF	ca. 170 kHz
470 pF	470 pF	220 pF	ca. 180 kHz
220 pF	220 pF	—	ca. 205 kHz
—	—	—	ca. 210 kHz
Notes	GRSC = 2, GFS = 1.5, GFC = 1.5		

Table 41: Filter Cut-off Frequency (-3 dB)

In-circuit programming of the EEPROM

To avoid bus conflicts during in-circuit programming of the EEPROM using external programming tools, iC-MG should be supplied first and must have finished its I2C master communication.

Alternatively, access to the EEPROM is unhindered as long as iC-MG's supply voltage remains below turn-off threshold VDDoff. Programming of a 2.5V-capable EEPROM can thus be possible. As iC-MG can be back biased by I2C pull-up resistors, its supply voltage may not exceed turn-on threshold VDDon.

REVISION HISTORY

Rel.	Rel. Date*	Chapter	Modification	Page
C1	2008-06-12	...		

Rel.	Rel. Date*	Chapter	Modification	Page
D1	2014-08-11	...	See revision history of release D1	

Rel.	Rel. Date*	Chapter	Modification	Page
D3	2018-04-20	PACKAGING INFORMATION	Footnote: value of bypass cap	2
		OPERATING MODES	Table 5: fields changed to reserved	11
		INPUT CONFIGURATIONS	Update of description, Figure 1, Table 8	12
		S/C SIGNAL PATH and CALIBRATION	Figure 2 updated Table 16: OFS, OFC: Code corrected	14
		ORDERING INFORMATION	Listing updated	22

iC-Haus expressly reserves the right to change its products and/or specifications. An Infoletter gives details as to any amendments and additions made to the relevant current specifications on our internet website www.ichaus.com/infoletter and is automatically generated and shall be sent to registered users by email. Copying – even as an excerpt – is only permitted with iC-Haus' approval in writing and precise reference to source.

The data specified is intended solely for the purpose of product description and shall represent the usual quality of the product. In case the specifications contain obvious mistakes e.g. in writing or calculation, iC-Haus reserves the right to correct the specification and no liability arises insofar that the specification was from a third party view obviously not reliable. There shall be no claims based on defects as to quality in cases of insignificant deviations from the specifications or in case of only minor impairment of usability.

No representations or warranties, either expressed or implied, of merchantability, fitness for a particular purpose or of any other nature are made hereunder with respect to information/specification or the products to which information refers and no guarantee with respect to compliance to the intended use is given. In particular, this also applies to the stated possible applications or areas of applications of the product.

iC-Haus products are not designed for and must not be used in connection with any applications where the failure of such products would reasonably be expected to result in significant personal injury or death (*Safety-Critical Applications*) without iC-Haus' specific written consent. Safety-Critical Applications include, without limitation, life support devices and systems. iC-Haus products are not designed nor intended for use in military or aerospace applications or environments or in automotive applications unless specifically designated for such use by iC-Haus.

iC-Haus conveys no patent, copyright, mask work right or other trade mark right to this product. iC-Haus assumes no liability for any patent and/or other trade mark rights of a third party resulting from processing or handling of the product and/or any other use of the product.

Software and its documentation is provided by iC-Haus GmbH or contributors "AS IS" and is subject to the ZVEI General Conditions for the Supply of Products and Services with iC-Haus amendments and the ZVEI Software clause with iC-Haus amendments (www.ichaus.com/EULA).

* Release Date format: YYYY-MM-DD

iC-MG

8-Bit Sin/Cos INTERPOLATION IC WITH RS422 DRIVER



Rev D3, Page 22/22

ORDERING INFORMATION

Type	Package	Order Designation
iC-MG	TSSOP20	iC-MG TSSOP20

Please send your purchase orders to our order handling team:

Fax: +49 (0) 61 35 - 92 92 - 692

E-Mail: dispo@ichaus.com

For technical support, information about prices and terms of delivery please contact:

iC-Haus GmbH
Am Kuemmerling 18
D-55294 Bodenheim
GERMANY

Tel.: +49 (0) 61 35 - 92 92 - 0
Fax: +49 (0) 61 35 - 92 92 - 192
Web: <http://www.ichaus.com>
E-Mail: sales@ichaus.com

Appointed local distributors: http://www.ichaus.com/sales_partners