

LSHC4S 26-256N, LSHC4R

iC-LSHC Encoder Disc and Reticle

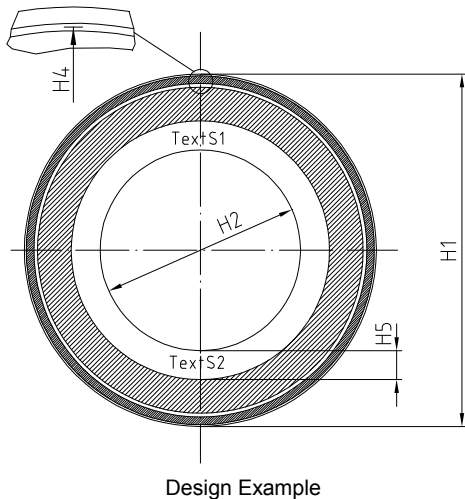


Rev A2, Page 1/3

ORDERING INFORMATION

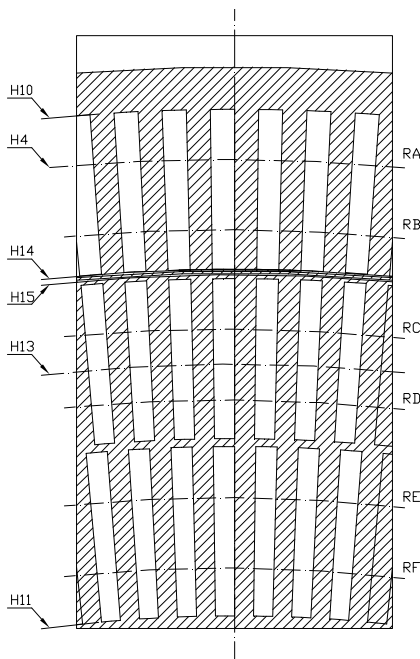
Type	Order Designation	Description/Options
Encoder Disc	LSHC4S 26-256N	Nonius Code Disc 256 PPR, dia 26 mm

PHYSICAL DIMENSIONS



Item	Parameter	Comments	[mm]	Tolerance
H1	Outer Diameter		26.0	$\pm 100 \mu\text{m}$
H2	Inner Diameter		11.6	$+ 200 \mu\text{m}$
H3	Thickness		1	$\pm 100 \mu\text{m}$
H4	Track Radius (RA)	referred to origin	12.21	
H5	Distance pattern to drill hole		2.0	
H6	Code Track Eccentricity	referred to center of inner hole	± 0.2	
H7	TextS1	readable on side of pattern		LSHC4S
H8	TextS2	readable on side of pattern		26-256

TRACK LAYOUT



Item	Parameter	Comments	[mm]
H4	Outside Track Radius (RA)	referred to center	12.21
H10	Code Pattern Radius	end	12.53
H11	Code Pattern Radius	begin	9.30
H12	Recommended LED Spot Diameter	LED Spot	> 3.2
H13	Recommended LED Spot Center	radius as center of illumination	10.905
H14	Alignment Circle	end of circle	11.510
H15	Alignment Circle	begin of circle	11.475
RA	Track Radius	RA	12.21
RB	Track Radius	RB	11.76
RC	Track Radius	RC	11.13
RD	Track Radius	RD	10.68
RE	Track Radius	RE	10.05
RF	Track Radius	RF	9.60

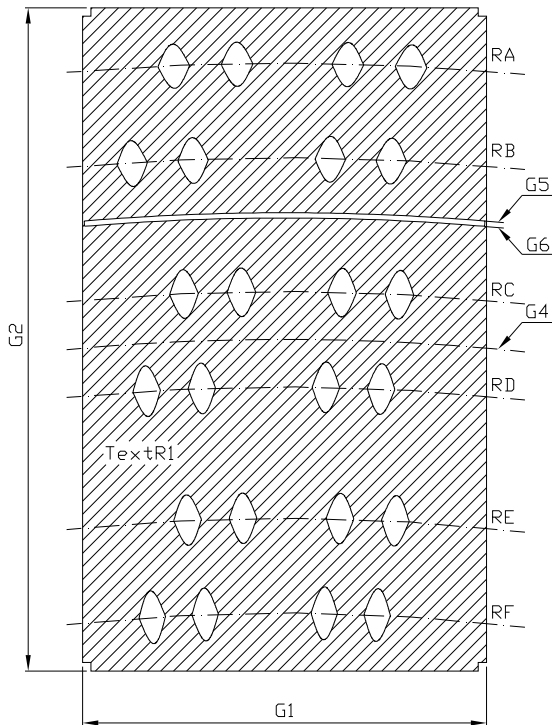
LSHC4S 26-256N, LSHC4R

iC-LSHC Encoder Disc and Reticle



Rev A2, Page 2/3

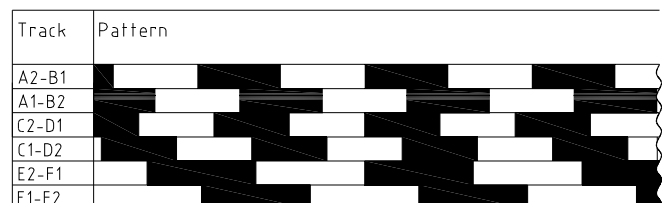
PHYSICAL DIMENSIONS: Reticle



Item	Parameter	Comments	[mm]	Tolerance
G1	Width		1.90	
G2	Height		3.30	
G3	Thickness		0.50	± 10%
G4	Radius of Chip Center	referred to origin	10.905	
G5	Alignment Circle	end of circle	11.505	
G6	Alignment Circle	begin of circle	11.480	
G7	TextR1	readable on side of pattern	LSHC4R	
RA	Track Radius Nonius		12.21	
RB	Radius Track Nonius		11.76	
RC	Track Radius Master		11.13	
RD	Track Radius Master		10.68	
RE	Track Radius Segment		10.05	
RF	Track Radius Segment		9.60	

TRACK ASSIGNMENT: Reticle

Output	Signal	Signal	Output
A1	255 PPR PSINN	255 PPR PCOSN	A2
B1	255 PPR NCOSN	255 PPR NSINN	B2
C1	256 PPR PSINM	256 PPR PCOSM	C2
D1	256 PPR NCOSM	256 PPR NSINM	D2
E1	240 PPR PSINS	240 PPR PCOSS	E2
F1	240 PPR NCOSS	240 PPR NSINS	F2



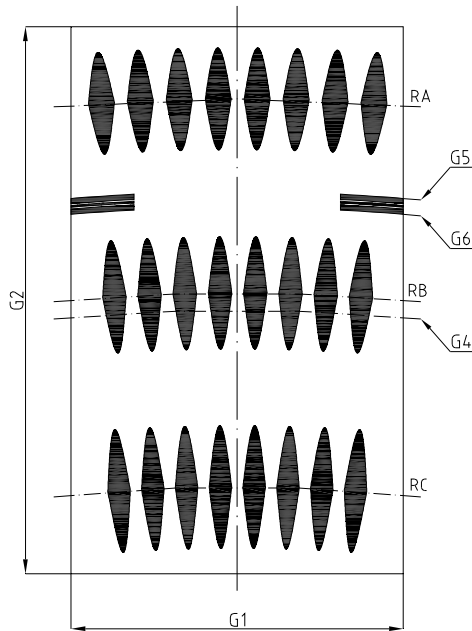
LSHC4S 26-256N, LSHC4R

iC-LSHC Encoder Disc and Reticle



Rev A2, Page 3/3

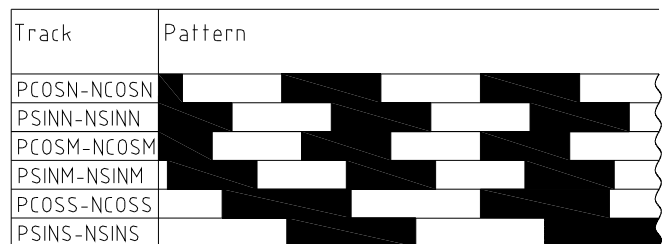
PHYSICAL DIMENSIONS: Photosensor Array



Item	Parameter	Comments	[mm]
G0	Name and Design Release	iC-PN2656	
G1	Window Width		1.90
G2	Window Height		3.12
G4	Radius of Chip Center	referred to origin	10.905
G5	Reflective Alignment Aid	end of circle	11.525
G6	Reflective Alignment Aid	begin of circle	11.435
RA	Radius Nonius Track		12.054
RB	Radius Master Track		10.947
RC	Radius Segment Track		9.840

TRACK ASSIGNMENT: Photosensor Array

Radius	Signal			
RA	255 PPR PSINN	255 PPR PCOSN	255 PPR NSINN	255 PPR NCOSN
RB	256 PPR PSINM	256 PPR PCOSM	256 PPR NSINM	256 PPR NCOSM
RC	240 PPR PSINS	240 PPR PCOSS	240 PPR NSINS	240 PPR NCOSS



iC-Haus expressly reserves the right to change its products and/or specifications. An info letter gives details as to any amendments and additions made to the relevant current specifications on our internet website www.ichaus.com/infoletter; this letter is generated automatically and shall be sent to registered users by email. Copying – even as an excerpt – is only permitted with iC-Haus approval in writing and precise reference to source. iC-Haus does not warrant the accuracy, completeness or timeliness of the specification on this site and does not assume liability for any errors or omissions in the materials. The data specified is intended solely for the purpose of product description. No representations or warranties, either express or implied, of merchantability, fitness for a particular purpose or of any other nature are made hereunder with respect to information/specification or the products to which information refers and no guarantee with respect to compliance to the intended use is given. In particular, this also applies to the stated possible applications or areas of applications of the product. iC-Haus conveys no patent, copyright, mask work right or other trade mark right to this product. iC-Haus assumes no liability for any patent and/or other trade mark rights of a third party resulting from processing or handling of the product and/or any other use of the product. As a general rule our developments, IPs, principle circuitry and range of Integrated Circuits are suitable and specifically designed for appropriate use in technical applications, such as in devices, systems and any kind of technical equipment, in so far as they do not infringe existing patent rights. In principle the range of use is limitless in a technical sense and refers to the products listed in the inventory of goods compiled for the 2008 and following export trade statistics issued annually by the Bureau of Statistics in Wiesbaden, for example, or to any product in the product catalogue published for the 2007 and following exhibitions in Hanover (Hannover-Messe). We understand suitable application of our published designs to be state-of-the-art technology which can no longer be classed as inventive under the stipulations of patent law. Our explicit application notes are to be treated only as mere examples of the many possible and extremely advantageous uses our products can be put to.