

LSHC15S 18-256N

iC-LSHC Encoder Disc and Code Description

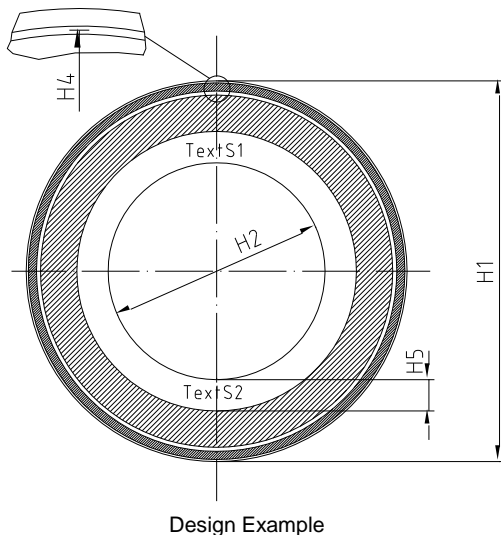


Rev A1, Page 1/2

CODE DISC ORDERING INFORMATION

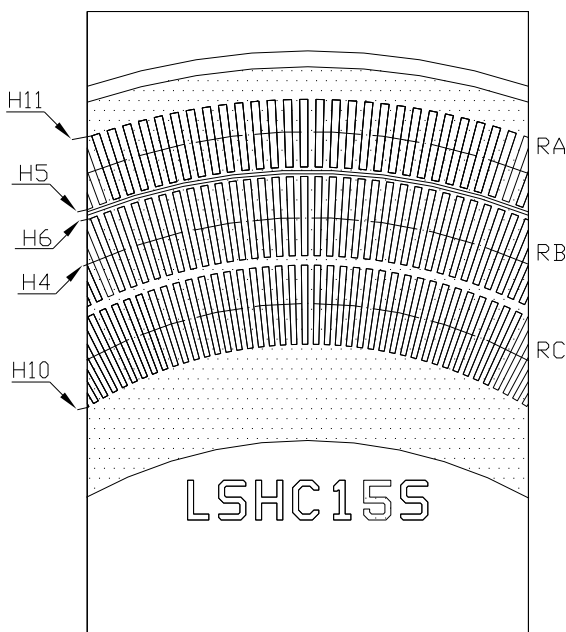
Type	Order Designation	Description/Options
Encoder Disc	LSHC15S 18-256N	Nonius Code Disc 256 PPR, dia 18 mm

PHYSICAL DIMENSIONS: Disc



Item	Parameter	Comments	[mm]	Tolerance
H1	Outer Diameter		18.0	$\pm 100 \mu\text{m}$
H2	Inner Diameter		3.0	$\pm 100 \mu\text{m}$
H3	Thickness		1	$\pm 100 \mu\text{m}$
H4	Radius of Chip Center (referred to origin)		6.905	
H5	Distance Pattern to Drill Hole		2.5	
H6	Code Track Eccentricity	referred to center of inner hole	± 0.2	
H7	TextS1	readable on side of pattern	LSHC15S	
H8	TextS2	readable on side of pattern	18-256	

TRACK LAYOUT: Disc



Item	Parameter	Comments	[mm]
H4	Radius of Chip Center (referred to origin)		6.905
H10	Code Pattern Radius	end	8.285
H11	Code Pattern Radius	begin	5.445
H12	Recommended LED Spot Diameter	LED Spot	> 3.2
H13	Recommended LED Spot Center	radius as center of illumination	6.905
H14	Alignment Circle	end of circle	7.500
H15	Alignment Circle	begin of circle	7.460
RA	Track Radius	RA	7.985
RB	Track Radius	RB	6.905
RC	Track Radius	RC	5.825

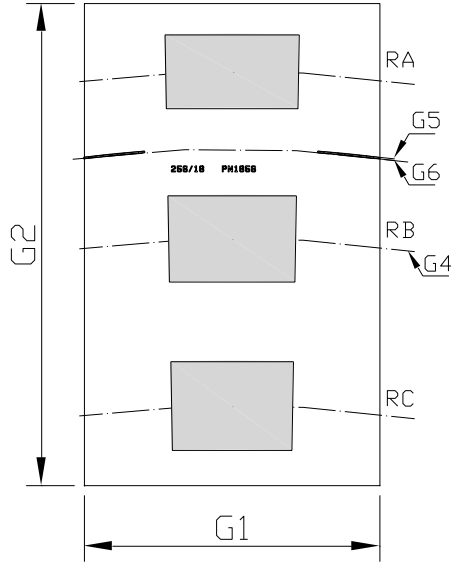
LSHC15S 18-256N

iC-LSHC Encoder Disc and Code Description



Rev A1, Page 2/2

PHYSICAL DIMENSIONS: Reticle



Item	Parameter	Comments	[mm]
G0	Name and Design Release	iC-PN1856	
G1	Window Width		1.90
G2	Window Height		3.24
G4	Radius of Chip Center	referred to origin	6.905
G5	Reflective Alignment Aid	end of circle	7.485
G6	Reflective Alignment Aid	begin of circle	7.475
RA	Track Radius Nonius		7.985
RB	Track Radius Master		6.905
RC	Track Radius Segment		5.825

TRACK ASSIGNMENT: Reticle

Radius	Signal			
RA	255 PPR PSINN	255 PPR PCOSN	255 PPR NSINN	255 PPR NCOSN
RB	256 PPR PSINM	256 PPR PCOSM	256 PPR NSINM	256 PPR NCOSM
RC	240 PPR PSINS	240 PPR PCOSS	240 PPR NSINS	240 PPR NCOSS

Track	Pattern
PCOSN-NCOSN	
PSINN-NSINN	
PCOSM-NCOSM	
PSINM-NSINM	
PCOSS-NCOSS	
PSINS-NSINS	

iC-Haus expressly reserves the right to change its products and/or specifications. An info letter gives details as to any amendments and additions made to the relevant current specifications on our internet website www.ichaus.com/infoletter; this letter is generated automatically and shall be sent to registered users by email. Copying – even as an excerpt – is only permitted with iC-Haus' approval in writing and precise reference to source. iC-Haus does not warrant the accuracy, completeness or timeliness of the specification and does not assume liability for any errors or omissions in these materials. The data specified is intended solely for the purpose of product description. No representations or warranties, either express or implied, of merchantability, fitness for a particular purpose or of any other nature are made hereunder with respect to information/specification or the products to which information refers and no guarantee with respect to compliance to the intended use is given. In particular, this also applies to the stated possible applications or areas of applications of the product. iC-Haus conveys no patent, copyright, mask work right or other trade mark right to this product. iC-Haus assumes no liability for any patent and/or other trade mark rights of a third party resulting from processing or handling of the product and/or any other use of the product..