

# LSHB5S 26-3600, LSHB5R

## iC-LSHB Encoder Disc and Reticle Description

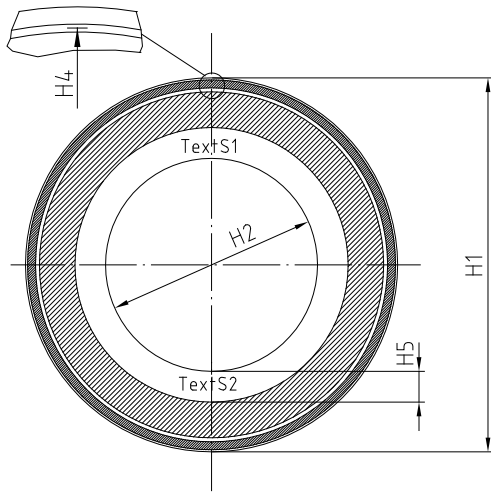


Rev A4, Page 1/2

### ORDERING INFORMATION

Type	Order Designation	Description/Options
Encoder Disc	LSHB5S 26-3600	Incremental Code Disc A/B/Z 3600 PPR, dia 26 mm

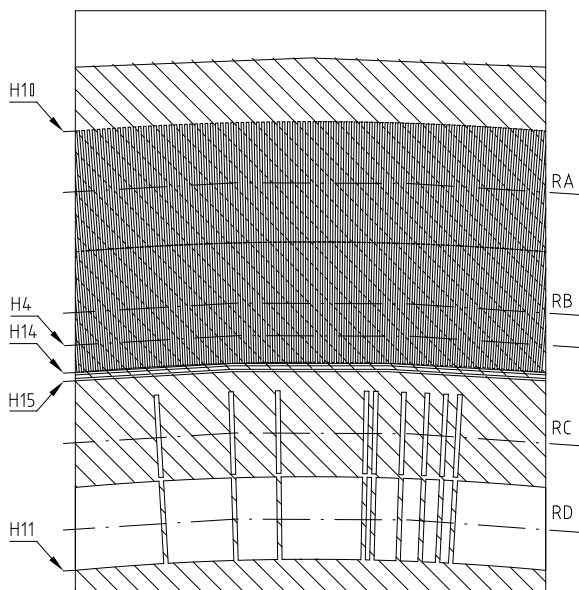
### PHYSICAL DIMENSIONS



Design Example

Item	Parameter	Comments	[mm]	Tolerance
H1	Outer Diameter		26.0	$\pm 100 \mu\text{m}$
H2	Inner Diameter		14.0	$+ 200 \mu\text{m}$
H3	Thickness		1.0	$\pm 100 \mu\text{m}$
H4	Radius of Chip Center	referred to origin	11.57	
H5	Distance Pattern to Drill Hole		3.0	
H6	Code Track Eccentricity	referred to center of inner hole	$\pm 0.2$	
H7	TextS1	readable on side of pattern	LSHB5S	
H8	TextS2	readable on side of pattern	26-3600	

### TRACK LAYOUT



Item	Parameter	Comments	[mm]
H4	Radius of Chip Center	referred to origin	11.57
H10	Code Pattern Radius	end	12.530
H11	Code Pattern Radius	begin	10.675
H12	Recommended LED Spot Diameter	LED Spot	$> 3.2$
H13	Recommended LED Spot Center	radius as center of illumination	11.57
H14	Alignment Circle	end of circle	11.510
H15	Alignment Circle	begin of circle	11.475
RA	Radius Track A/B		12.210
RB	Radius Track NA/NB		11.760
RC	Radius Track PZ		11.212
RD	Radius Track NZ		10.847

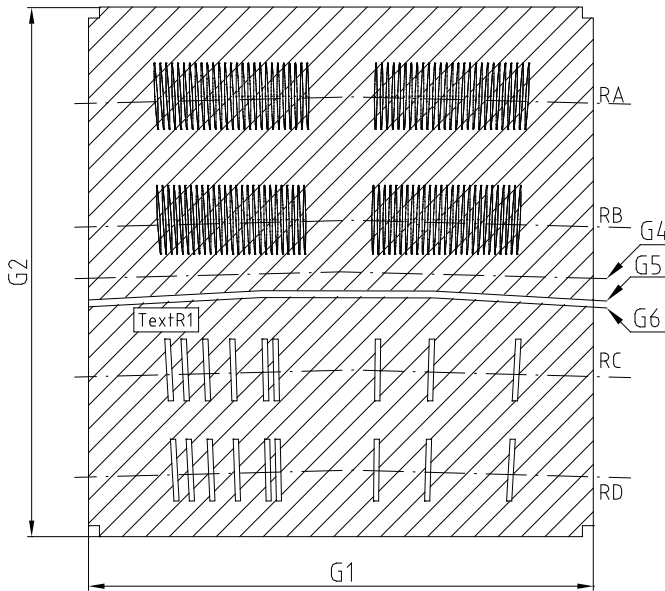
# LSHB5S 26-3600, LSHB5R

## iC-LSHB Encoder Disc and Reticle Description



Rev A4, Page 2/2

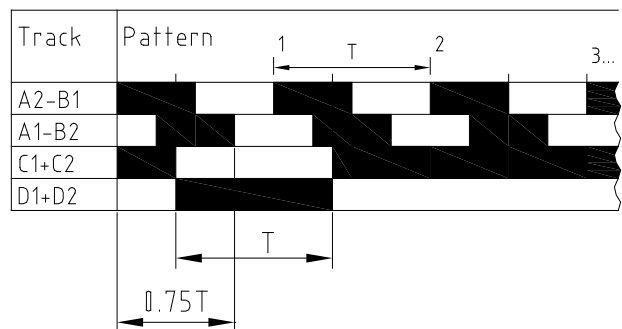
### PHYSICAL DIMENSIONS: Reticle



Item	Parameter	Comments	[mm]
G0	Name and Design Release	LSHB5R	
G1	Width		1.90
G2	Height		1.98
G3	Thickness		0.50 ± 10%
G4	Radius of Chip Center	referred to origin	11.57
G5	Alignment Circle	end of circle	11.505
G6	Alignment Circle	begin of circle	11.480
G7	TextR1	readable on side of pattern	LSHB5R
RA	Radius Track A/B		12.210
RB	Radius Track NA/NB		11.760
RC	Radius Track PZ		11.212
RD	Radius Track NZ		10.847

### TRACK ASSIGNMENT: Reticle

Output	Signal	Signal	Output
A1	3600 PPR PSIN	3600 PPR PCOS	A2
B1	3600 PPR NCOS	3600 PPR NSIN	B2
C1	1 PPR PZ	1 PPR PZ	C2
D1	1 PPR NZ	1 PPR NZ	D2



iC-Haus expressly reserves the right to change its products and/or specifications. An info letter gives details as to any amendments and additions made to the relevant current specifications on our internet website [www.ichaus.com/infoletter](http://www.ichaus.com/infoletter); this letter is generated automatically and shall be sent to registered users by email. Copying – even as an excerpt – is only permitted with iC-Haus approval in writing and precise reference to source. iC-Haus does not warrant the accuracy, completeness or timeliness of the specification on this site and does not assume liability for any errors or omissions in the materials. The data specified is intended solely for the purpose of product description. No representations or warranties, either express or implied, of merchantability, fitness for a particular purpose or of any other nature are made hereunder with respect to information/specification or the products to which information refers and no guarantee with respect to compliance to the intended use is given. In particular, this also applies to the stated possible applications or areas of applications of the product. iC-Haus conveys no patent, copyright, mask work right or other trade mark right to this product. iC-Haus assumes no liability for any patent and/or other trade mark rights of a third party resulting from processing or handling of the product and/or any other use of the product.