

# iC-LQNP TO18-4L/F

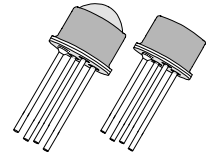
## PACKAGE SPECIFICATION



Rev A1, Page 1/1

### ORDERING INFORMATION

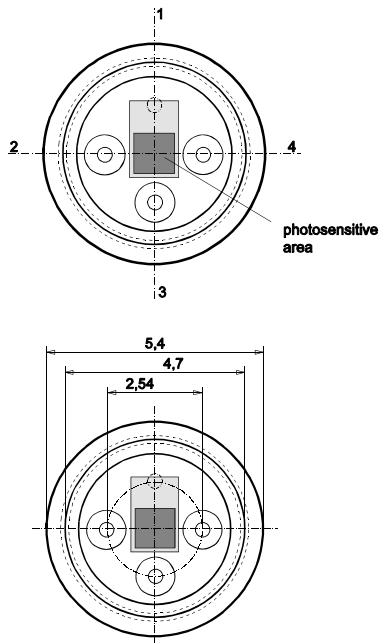
Type	Package	Options	Order Designation
iC-LQNP	TO18-4L	lens	iC-LQNP TO18-4L
iC-LQNP	TO18-4F	flat window	iC-LQNP TO18-4F



optoLGA and optoBGA™ packages on request.

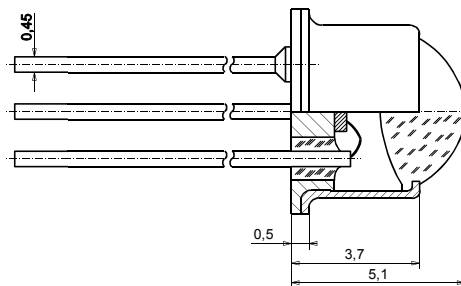
### PIN CONFIGURATION

(top view)



### PIN FUNCTIONS

No.	Name	Function
1	GND	Ground
2	OUT	High-Side Current Output
3	VCC	Supply Voltage +4.5...+13.2V
4	NOUT	Low-Side Current Output



### ABSOLUTE MAXIMUM RATINGS

Item	Symbol	Parameter	Conditions	Fig.	Min.	Typ.	Max.	Unit
TG1	Ta	Operating Ambient Temperature Range			-25		85	°C
TG2	Ts	Storage Temperature Range			-30		110	°C
TG3	Tl	Lead Temperature	soldering, 10 s				260	°C

© 2005