

iC-HD2

QUAD DIFFERENTIAL LINE DRIVER



Rev A6, Page 1/8

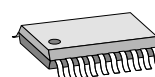
FEATURES

- ◆ Complementary short-circuit-proof push-pull driver stages for RS422 and 24 V applications up to 2 MHz
- ◆ Pin-compatible to xx2068
- ◆ Integrated line adaptation for high signal quality at 24 V
- ◆ Moderate slew rate reduces EMI
- ◆ High driving capability of typically 200 mA at 24 V
- ◆ Output saturation of just 0.3 V at 40 mA_{dc}
- ◆ Tristate function with excessive temperature
- ◆ Error messaging with excessive temperature and undervoltage
- ◆ TTL-/CMOS-compatible Schmitt trigger inputs, voltage-proof to 40 V
- ◆ Tristate function for bus applications
- ◆ Integrated 5 V voltage regulator for 5 mA
- ◆ 4.5 to 35 V single supply operation with low static power dissipation
- ◆ Operating temperature from -25 to 125 °C (-40 °C is optional)

APPLICATIONS

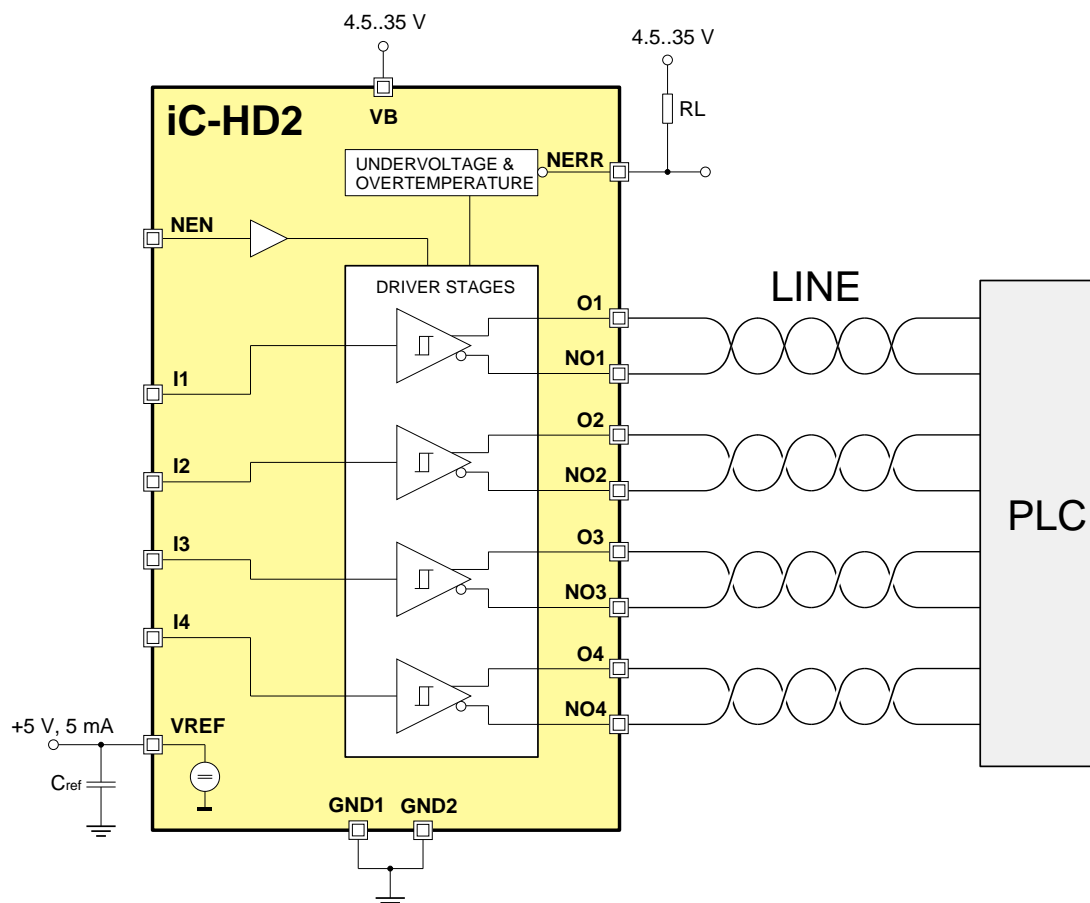
- ◆ Line drivers for 24 V control engineering
- ◆ Linear scales and encoders
- ◆ Sensor systems

PACKAGES



TSSOP20
RoHS compliant

BLOCK DIAGRAM



iC-HD2

QUAD DIFFERENTIAL LINE DRIVER



Rev A6, Page 2/8

DESCRIPTION

iC-HD is a robust line driver for industrial 5 V and 24 V applications with four complementary output channels.

For signal lines with a characteristic impedance of 30 to 140 Ω the integrated line adapter, optimized to 75 Ω , minimizes ringing effects which arise when there is no line termination.

At a supply of 24 V the push-pull driver stages typically provide 200 mA to discharge the line and also have a low saturation voltage (of typically 200 mV with a 40 mA low-side load). The outputs are current limited and short-circuit-proof, shutting down with excessive temperature.

For bus applications the driver stages can be switched to high impedance by a high at input NEN.

The driver stage inputs have a Schmitt trigger characteristic and are compatible with CMOS and TTL levels.

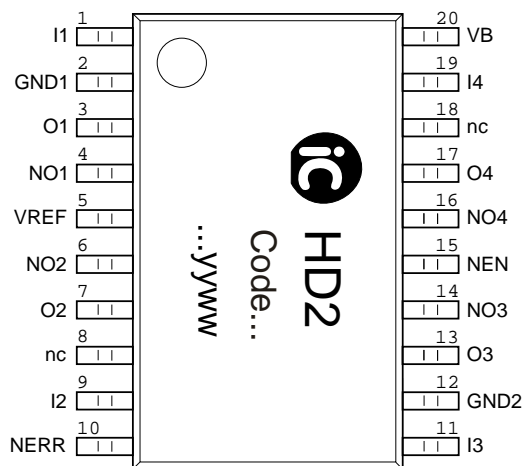
The device recognizes undervoltage at voltage regulator output VREF and thus indirectly also at supply voltage VB. VREF acts as a 5 V voltage supply for external loads of up to 5 mA.

Excessive temperature and undervoltage are signaled as an error by a low signal at the short-circuit-proof NERR output. For test purposes the temperature monitor can be deactivated by applying a voltage of greater than 12 V to input NEN.

The iC-HD contains internal ESD protection circuitry.

PACKAGING INFORMATION TSSOP20

PIN CONFIGURATION TSSOP20



PIN FUNCTIONS

No.	Name	Function
1	I1	Input 1
2	GND1	Ground
3	O1	Driver Output 1
4	NO1	Inverted Driver Output 1
5	VREF	Voltage Regulator Output +5 V (5 mA)
6	NO2	Inverted Driver Output 2
7	O2	Driver Output 2
8	nc	
9	I2	Input 2
10	NERR	Error Message Output (low active)
11	I3	Input 3
12	GND2	Ground
13	O3	Driver Output 3
14	NO3	Inverted Driver Output 3
15	NEN	Function Input (low signal enables driver outputs)
16	NO4	Inverted Driver Output 4
17	O4	Driver Output 4
18	nc	
19	I4	Input 4
20	VB	+4.5 to +35 V Supply Voltage

The pins GND1, GND2 must be connected to ground.

iC-HD2

QUAD DIFFERENTIAL LINE DRIVER



Rev A6, Page 3/8

ABSOLUTE MAXIMUM RATINGS

Beyond these values damage may occur; device operation is not guaranteed. Absolute Maximum Ratings are no Operating Conditions. Integrated circuits with system interfaces, e.g. via cable accessible pins (I/O pins, line drivers) are per principle endangered by injected interferences, which may compromise the function or durability. The robustness of the devices has to be verified by the user during system development with regards to applying standards and ensured where necessary by additional protective circuitry. By the manufacturer suggested protective circuitry is for information only and given without responsibility and has to be verified within the actual system with respect to actual interferences.

Item No.	Symbol	Parameter	Conditions			Unit
				Min.	Max.	
G001	VB	Supply Voltage VB		0	40	V
G002	Vin()	Voltage at Inputs I1...I4		0	VB	V
G003	Vin()	Voltage at Input NEN		0	VB	V
G004	V()	Voltage at Outputs O1...O4, NO1...NO4		0	VB	V
G005	I()	Current in Outputs O1...O4, NO1...NO4		-500	500	mA
G006	I(VREF)	Current in VREF		-10	0.5	mA
G007	V(NERR)	Voltage at NERR		0	VB	V
G008	I(NERR)	Current in NERR		-10	10	mA
G009	Vd()	ESD Susceptibility at all pins	HBM, 100 pF discharged through 1.5 kΩ		2	kV
G010	Tj	Junction Temperature		-40	150	°C
G011	Ts	Storage Temperature		-40	150	°C

THERMAL DATA

Item No.	Symbol	Parameter	Conditions				Unit
				Min.	Typ.	Max.	
T01	Ta	Operating Ambient Temperature (extended range to -40°C on request)		-25		125	°C
T02	Rthja	Thermal Resistance Chip To Ambient	TSSOP20 surface mounted, no special heat sink		80		K/W

All voltages are referenced to ground unless otherwise stated.

All currents flowing into the device pins are positive; all currents flowing out of the device pins are negative.

ELECTRICAL CHARACTERISTICS

 Operating Conditions: $V_B = 4.5...35\text{ V}$, $T_j = -40...125\text{ }^\circ\text{C}$, unless otherwise noted

Item No.	Symbol	Parameter	Conditions				Unit
				Min.	Typ.	Max.	
Total Device							
001	V_B	Permissible Supply Voltage		4.5		35	V
002	$I(V_B)$	Supply Current in V_B	$NEN = lo$, outputs and V_{REF} not loaded		3.8	5.5	mA
003	$I(V_B)_{tri}$	Tristate Current Consumption in V_B	$NEN = hi$, V_{REF} not loaded		2.7		mA
004	$V_c(lo)$	Clamp Voltage lo at NEN , I_x , $NERR$	$I() = -1\text{ mA}$, $NERR$ not active	-1.2		-0.3	V
005	$V_c(hi)$	Clamp Voltage hi at NEN , I_x , $NERR$	$I() = 1\text{ mA}$, $NERR$ not active	$V_B + 0.3$		$V_B + 1.2$	V
006	$V_c(lo)$	Clamp Voltage lo at $O1..O4$, $NO1..NO4$	$V_B = 0\text{ V}$, $I() = -10\text{ mA}$	-1.2		-0.3	
007	$V_c(hi)$	Clamp Voltage hi at $O1..O4$, $NO1..NO4$	$V_B = 0\text{ V}$, $I() = 10\text{ mA}$	$V_B + 0.3$		$V_B + 1.2$	
Driver Outputs O_x, NO_x ($x = 1...4$)							
101	$V_s(lo)$	Saturation Voltage lo	$I() = 40\text{ mA}$		0.2	0.6	V
102	$V_s(hi)$	Saturation Voltage hi	$V_s(hi) = V_B - V()$; $I() = -40\text{ mA}$		0.3	0.7	V
103	$I_{out}(lo)$	Driving Capability lo	$V_B = 30\text{ V}$, $V() = 3\text{ V}$	40	60	90	mA
104	$I_{out}(hi)$	Driving Capability hi	$V_B = 30\text{ V}$, $V() = V_B - 3\text{ V}$	-90	-60	-40	mA
105	$I_{sc}(lo)$	Short-Circuit Current lo	$V_B = 30\text{ V}$, $V() = V_B$			500	mA
106	$I_{sc}(hi)$	Short-Circuit Current hi	$V() = 0\text{ V}$	-500			mA
107	$R_{out}()$	Output Resistance	$V_B = 10...30\text{ V}$, $V() = V_B/2$	50	75	110	Ω
108	$SR(lo, hi)$	Slew-Rate lo/hi	$V_B = 24\text{ V}$, $CL = 100\text{ pF}$		400		V/ μs
109	$t_p(lo, hi)$	In/Out Propagation Delay lo/hi			75	200	ns
110	$dtp()$	Delay Skew	output O_x vs. NO_x	-35		35	ns
111	$I_{lk}()$	Output Leakage Current	$NEN = hi$	-10		10	μA
Driver Inputs I_x ($x=1...4$)							
Functional input voltage range $V(I_x) = 0$ to 7.5 V							
201	$V_t(lo)$	Threshold Voltage lo		0.8			V
202	$V_t(hi)$	Threshold Voltage hi				2.4	V
203	$V_t(hys)$	Input Hysteresis		0.1	0.2		V
204	$I()$	Input Leakage Current	$0\text{ V} < V() < V_{REF}$	-5		5	μA
Function Input NEN							
301	$V_{t1}(lo)$	Threshold Voltage lo	Driver enabled for $V(NEN) < V_{t1}(lo)$	0.8			V
302	$V_{t1}(hi)$	Threshold Voltage hi				2.4	V
303	$V_{t1}(hys)$	Input Hysteresis		0.1	0.2		V
304	$V_{t2}(hi)$	Threshold Voltage hi	Driver enabled without thermal shutdown function for $V(NEN) > V_{t2}(hi)$	7.5	10	12	V
305	$V_{t2}(hys)$	Input Hysteresis			0.5		V
306	$I_{in}()$	Input Current	$5\text{ V} < V(NEN) < V_B$		100	400	μA
307	$I_{in}()$	Input Current	$0 < V(NEN) < 5\text{ V}$	-5		5	μA
Voltage Regulator V_{REF}							
401	V_{REF}	Output Voltage V_{REF}	$V_B > V_{REF} + 0.2\text{ V}$, $I(V_{REF}) = 0...-5\text{ mA}$	4.5		5.5	V
402	$I(V_{REF})$	Permissible Load Current V_{REF}				5	mA
403	$I_{sc}(lo)$	Short-Circuit Current	$V(V_{REF}) = 0\text{ V}$	-40	-16	-7	mA
404	$CL()$	Permissible Capacitive Load	at pin V_{REF}	0.01	1		μF
Undervoltage Monitoring							
501	V_{off}	Undervoltage Threshold lo		3.0	3.5		V
502	V_{on}	Undervoltage Threshold hi			3.6	4.1	V
503	V_{hys}	Undervoltage Hysteresis		35	100		mV
504	$t_p(shut)$	Undervoltage Lockout Delay			20		μs

iC-HD2

QUAD DIFFERENTIAL LINE DRIVER



Rev A6, Page 5/8

ELECTRICAL CHARACTERISTICS

Operating Conditions: $V_B = 4.5...35\text{ V}$, $T_j = -40...125\text{ }^\circ\text{C}$, unless otherwise noted

Item No.	Symbol	Parameter	Conditions	Min.	Typ.	Max.	Unit
Temperature Monitoring							
601	T_{off}	Shutdown Temperature Threshold	$NEN = lo$	130	150	170	$^\circ\text{C}$
602	ΔT_{off}	Temperature Hysteresis	$NEN = lo$		8		$^\circ\text{C}$
Error Message Output NERR							
701	$V_s(lo)$	Saturation Voltage lo	$I() = 1.5\text{ mA}$		0.3	0.6	V
702	$I_{sc}(lo)$	Short-Circuit Current lo	$V() = 1\text{ V}...V_B$	2	6	12	mA
703	$V_s(hi)$	Saturation Voltage hi	$V_s(hi) = V_{REF} - V(NERR)$; $I(NERR) = -0.3\text{ mA}$		0.2	0.6	V
704	$I_{sc}(hi)$	Short-Circuit Current hi	$V(NERR) = 0\text{ V}$	-3	-1	-0.4	mA
705	$I_{lk}(hi)$	Leakage Current With High Pin Voltage	$V_{REF} < V(NERR) < V_B$, $NERR = hi$		100	250	μA

ELECTRICAL CHARACTERISTICS: Diagrams



Figure 1: Example of moderate slew rate with un-loaded Ox and NOx outputs ($V_B = 24\text{ V}$)

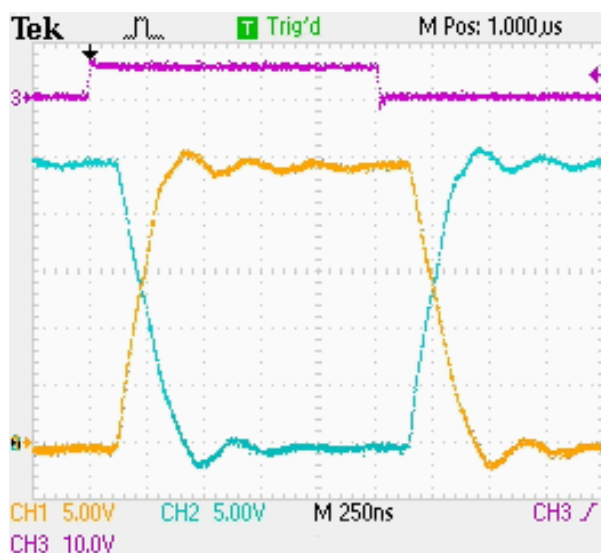


Figure 2: Example of typical line end signal without termination ($V_B = 24\text{ V}$, length of cable 10 m)

APPLICATION NOTE

Reverse polarity and circuit protection

For reverse polarity protection electronic circuitries are usually powered via a diode D in the supply line. Under normal operating conditions, this diode will not affect function of the circuitry when the additional forward voltage drop across the diode is accounted for.

If the supply voltage V_{supply} is suddenly reversed, a load capacitor C may be still fully charged. Therefore, the diode D has to be selected to withstand a voltage difference of at least twice the maximum supply voltage.

Since the reverse polarity protection diode D prevents discharging of the load capacitor C, especially at low power consumption, injected charge through disturbances may result in capacitor voltage exceeding maximum ratings, leading to malfunction or damage of the iC-HD2 and associated parts. Therefore EMC protection will require additional circuitry when a reverse polarity diode is used.

Figure 3 shows the iC-HD2 with the diode D for reverse polarity protection and additional protective devices TS and ZD.

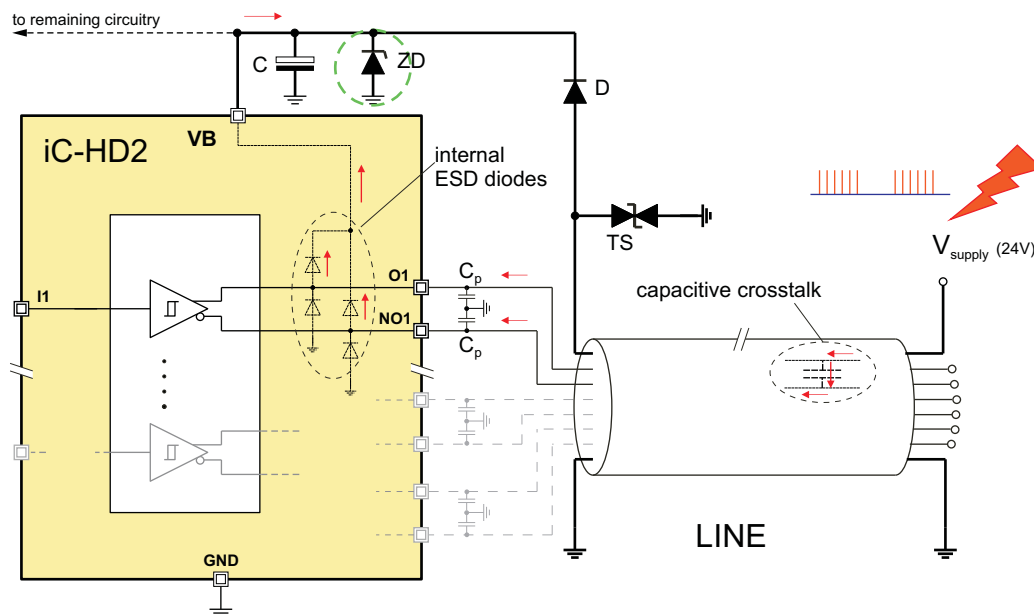


Figure 3: Circuit schematic showing protective devices

*D: reverse polarity protective diode; TS: bidirectional suppressor diode;
ZD: supply voltage limiting zener diode*

For over-voltage protection, the suppressor diode TS absorbs transients on the supply line, injected externally into the cable. Clamp voltage of the diode TS should be rated slightly above maximum specified supply voltage. To protect the driver outputs against fast transients, additional parallel capacitors C_p in the range of about 1 nF are recommended and should be connected from each output to ground. Further over-voltage protection elements like damping chokes, transient suppressor diodes or varistors may be needed to comply with application specific EMC directives.

Due to capacitive crosstalk between the wires in the cable of the supply line, additional currents may be injected into the circuitry during transients via the driver pins of iC-HD2 connected directly to the cable. These

currents can be passed to ground or to VB by the internal ESD diodes of the iC-HD2. Whereas negative current injection will simply be drained off to ground, positive current injection will charge capacitor C further to higher voltages.

By introducing an additional Zener diode ZD in parallel to capacitor C, excessive charge can be drained off, thus limiting circuitry supply voltage to a safe value, as shown in fig. 4.

Suggested protective devices

As stated above, diode D must withstand at least twice the maximum operating voltage. Assuming $V_{B_{\text{max}}}$ specified to be 30V, reverse voltage $V_{R,D}$ of the diode D then should be at least 60V. Current rating depends on total power consumption of the circuitry, but

is usually below 1 amps. Therefore, typical 1 amps rated rectifier diodes like 1N4002 (with $V_{R,D} = 100\text{ V}$) through 1N4007 (with $V_{R,D} = 1000\text{ V}$) or equivalent types (BA157 through BA159) can be used. At $V_{B_{max}}$ of 30V, neither the suppressor diode TS nor the Zener diode ZD should draw substantial current. Therefore, their breakdown voltage should be chosen to be some

volts higher. A 36 V rated suppressor diode with 1.5kW pulse power capability like a 1N6284 or 1.5KE36 the minimum breakdown voltage measured at a test current of 1 mA is stated as 32.4 V. Also, a zener diode like a BZT03C36 rated for 36 V also shows a minimum breakdown voltage of 32.4 V, but measured at test current of 10 mA.

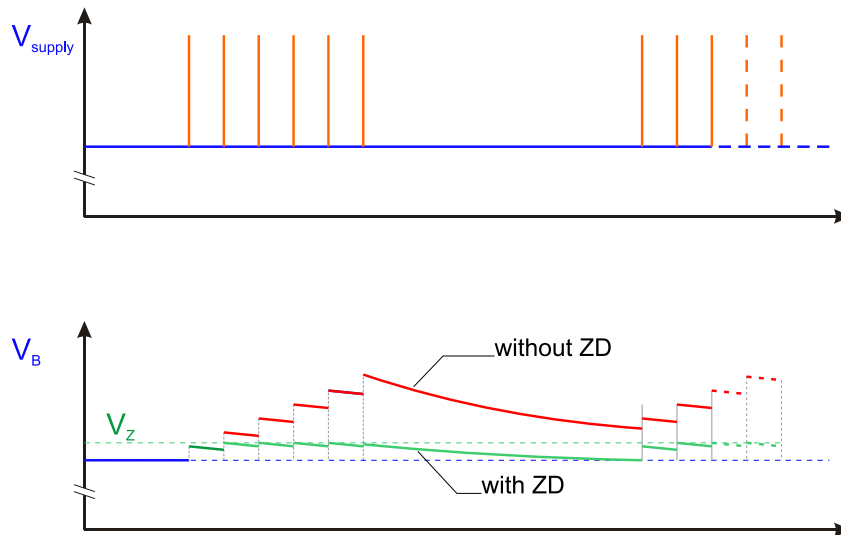


Figure 4: Using zener diode ZD to limit circuit supply voltage

iC-Haus expressly reserves the right to change its products and/or specifications. An info letter gives details as to any amendments and additions made to the relevant current specifications on our internet website www.ichaus.de/infoletter; this letter is generated automatically and shall be sent to registered users by email.

Copying – even as an excerpt – is only permitted with iC-Haus' approval in writing and precise reference to source.

iC-Haus does not warrant the accuracy, completeness or timeliness of the specification and does not assume liability for any errors or omissions in these materials.

The data specified is intended solely for the purpose of product description. No representations or warranties, either express or implied, of merchantability, fitness for a particular purpose or of any other nature are made hereunder with respect to information/specification or the products to which information refers and no guarantee with respect to compliance to the intended use is given. In particular, this also applies to the stated possible applications or areas of applications of the product.

iC-Haus conveys no patent, copyright, mask work right or other trade mark right to this product. iC-Haus assumes no liability for any patent and/or other trade mark rights of a third party resulting from processing or handling of the product and/or any other use of the product.

iC-HD2

QUAD DIFFERENTIAL LINE DRIVER



Rev A6, Page 8/8

ORDERING INFORMATION

Type	Package	Order Designation
iC-HD2	TSSOP20	iC-HD2 TSSOP20

For technical support, information about prices and terms of delivery please contact:

iC-Haus GmbH
Am Kuemmerling 18
D-55294 Bodenheim
GERMANY

Tel.: +49 (0) 61 35-9292-0
Fax: +49 (0) 61 35-9292-192
Web: <http://www.ichaus.com>
E-Mail: sales@ichaus.com

Appointed local distributors: http://www.ichaus.com/sales_partners