

iC-DX EVAL DX1M

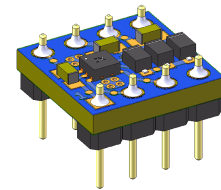
EVALUATION BOARD SPECIFICATION



Rev A3, Page 1/3

ORDERING INFORMATION

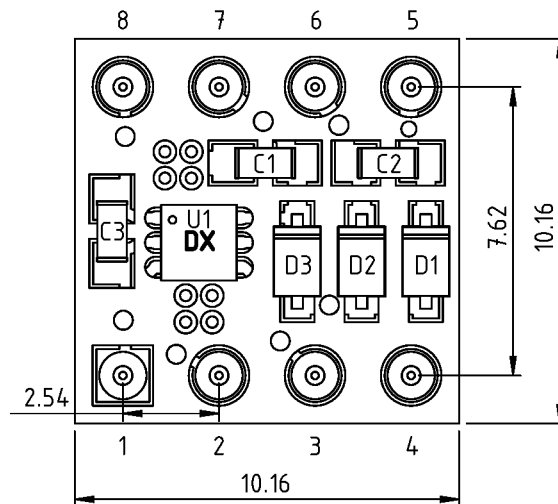
Type	Package	Options	Order Designation
iC-DX	DX1M (DIL8) -		iC-DX EVAL DX1M



dra_dx1m_pack_2, 2:1

Figure 1: DX1M Package (DIL8)

PIN CONFIGURATION



dra_dx1m_pack_3, 5:1

Figure 2: Top view / Dimensions in mm

No	Name	Function	No	Name	Function
1	GND	Ground	5	GND	Ground
2	IN	Input	6	OUT	Output
3	OE	Output Enable	7	VB	Supply Voltage
4	GND	Ground	8	VOUT	Regulated +5V Voltage

The *Thermal Pad* (EPAD) of the DFN6 package is attached to Ground.
Pins 1,4 and 5 are connected on-board to Ground.

SCHEMATICS

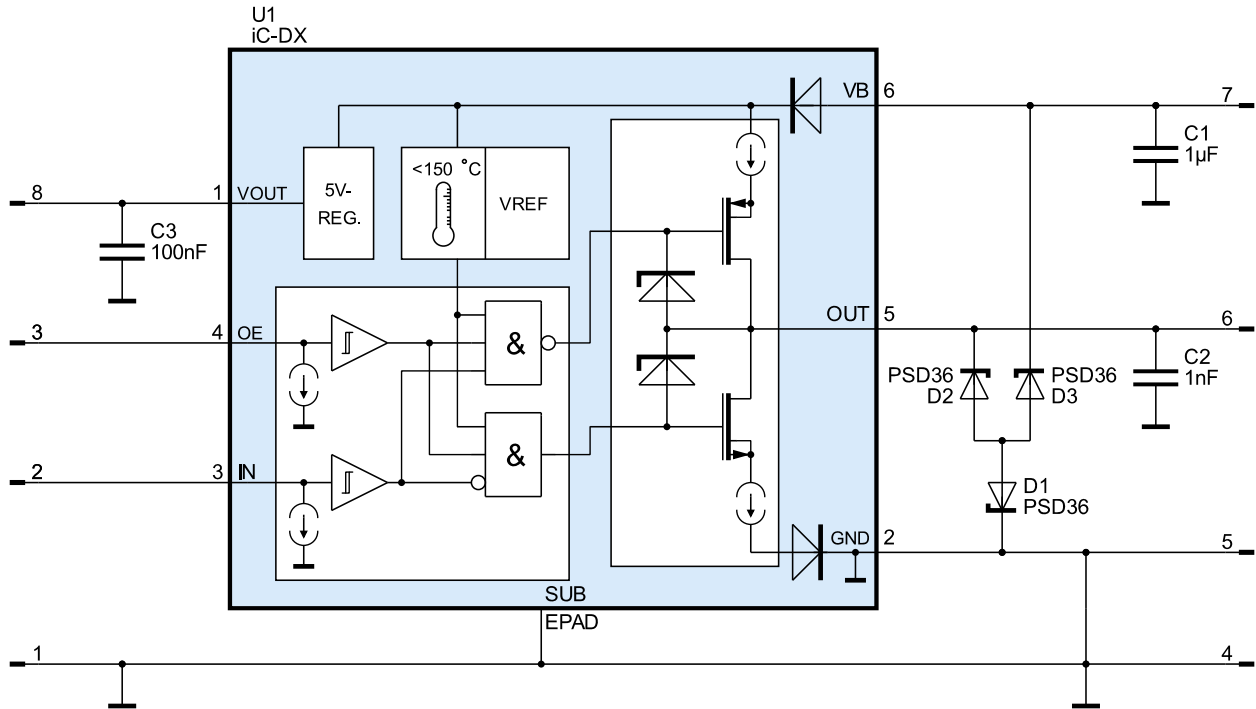


Figure 3: Circuit diagram

Note:

With the additional suppressor diodes D1, D2 and D3 the output side of the iC-DX is protected against bursts according to IEC/EN 61000-4-4.

For enhanced EMC compatibility (like IEC/EN 61000-4-5), the protection circuitry requires additional or enlarged components.

THERMAL DATA

Item No.	Symbol	Parameter	Conditions	Min.	Typ.	Max.	Unit
TG1	Ta	Operating Ambient Temperature Range		-20		85	°C
TG2	Ts	Storage Temperature Range		-20		85	°C
TG3	Rtha	Thermal Resistance Chip to Ambient	iC-DX on DX1M board		130		K/W

iC-DX EVAL DX1M

EVALUATION BOARD SPECIFICATION



Rev A3, Page 3/3

REVISION HISTORY

Rel.	Rel. Date*	Chapter	Modification	Page
A1	2010.03.16		First release	

Rel.	Rel. Date*	Chapter	Modification	Page
A2	2014.12.03		"preliminary" label removed	

Rel.	Rel. Date*	Chapter	Modification	Page
A3	2019.10.10		Note added below Fig. 3 describing protective circuitry	2
			Color of DX1M package (Fig. 1) and block diagram (Fig. 3) changed to blue	1,2

iC-Haus expressly reserves the right to change its products and/or specifications. A Datasheet Update Notification (DUN) gives details as to any amendments and additions made to the relevant current specifications on our internet website www.ichaus.com/DUN and is automatically generated and shall be sent to registered users by email.

Copying – even as an excerpt – is only permitted with iC-Haus' approval in writing and precise reference to source.

The data specified is intended solely for the purpose of product description and shall represent the usual quality of the product. In case the specifications contain obvious mistakes e.g. in writing or calculation, iC-Haus reserves the right to correct the specification and no liability arises insofar that the specification was from a third party view obviously not reliable. There shall be no claims based on defects as to quality in cases of insignificant deviations from the specifications or in case of only minor impairment of usability.

No representations or warranties, either expressed or implied, of merchantability, fitness for a particular purpose or of any other nature are made hereunder with respect to information/specification or the products to which information refers and no guarantee with respect to compliance to the intended use is given. In particular, this also applies to the stated possible applications or areas of applications of the product.

iC-Haus products are not designed for and must not be used in connection with any applications where the failure of such products would reasonably be expected to result in significant personal injury or death (*Safety-Critical Applications*) without iC-Haus' specific written consent. Safety-Critical Applications include, without limitation, life support devices and systems. iC-Haus products are not designed nor intended for use in military or aerospace applications or environments or in automotive applications unless specifically designated for such use by iC-Haus.

iC-Haus conveys no patent, copyright, mask work right or other trade mark right to this product. iC-Haus assumes no liability for any patent and/or other trade mark rights of a third party resulting from processing or handling of the product and/or any other use of the product.

Software and its documentation is provided by iC-Haus GmbH or contributors "AS IS" and is subject to the ZVEI General Conditions for the Supply of Products and Services with iC-Haus amendments and the ZVEI Software clause with iC-Haus amendments (www.ichaus.com/EULA).

* Release Date format: YYYY-MM-DD