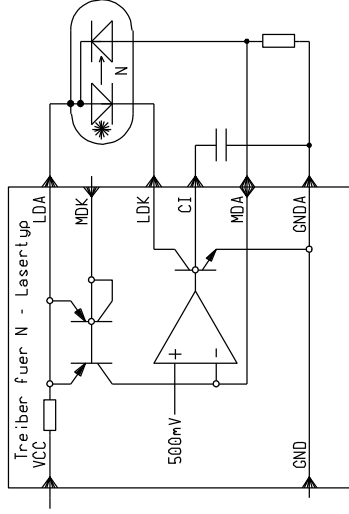


N-type Laser diode

+ case on LDA (VCC)



WKL

6V/70mA

WK

6V/70mA

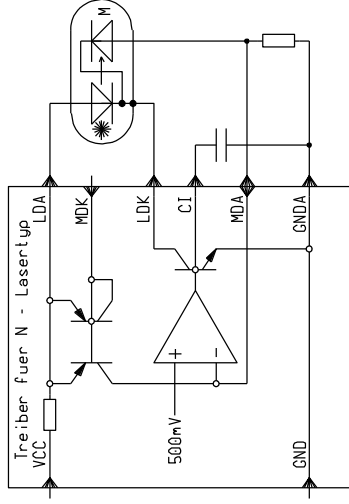
spike control

WKN

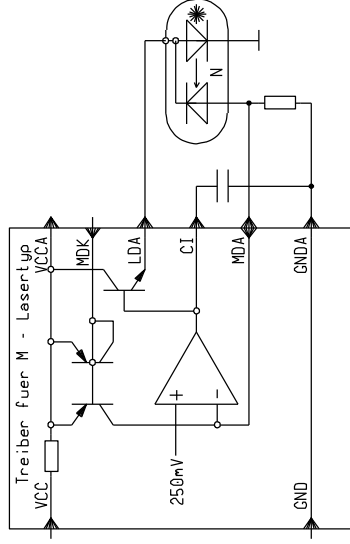
15V/300mA

M-type Laser diode

- case on LDA Potential



- case on LDA potential

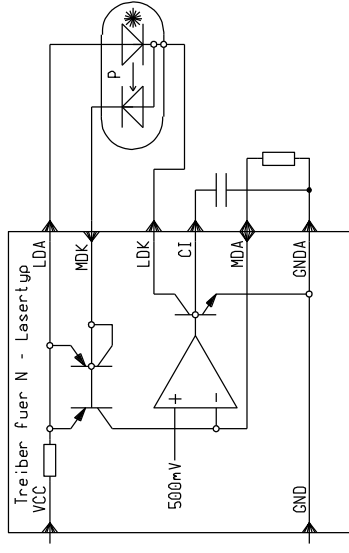


WKM

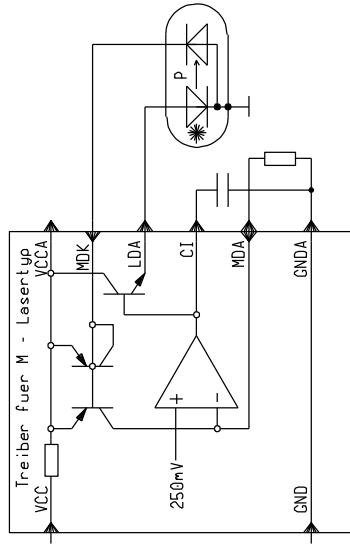
15V/350mA

P-type Laser diode

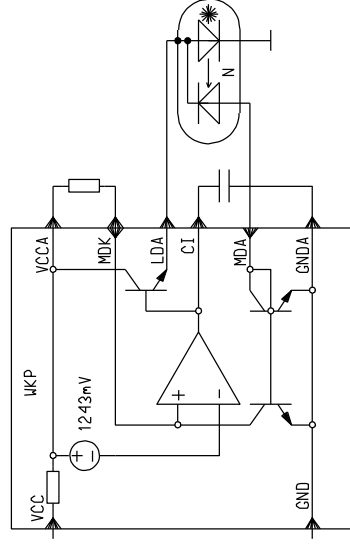
- case on LDK Potential
- currentmirror error



+ case grounded
- currentmirror error



+ case grounded
- currentmirror error



WKP

15V/350mA

+ case grounded

