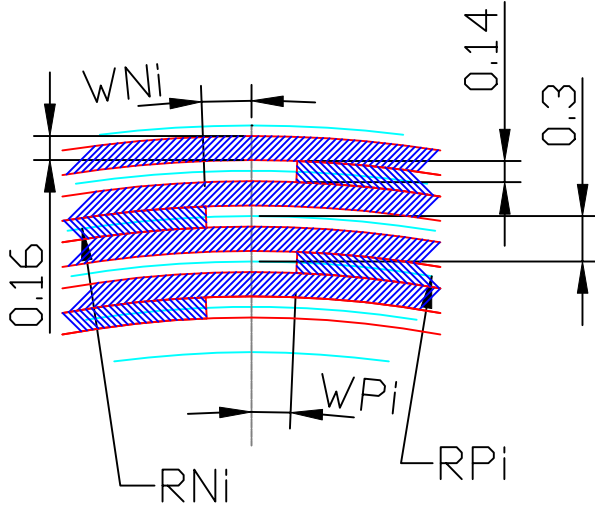
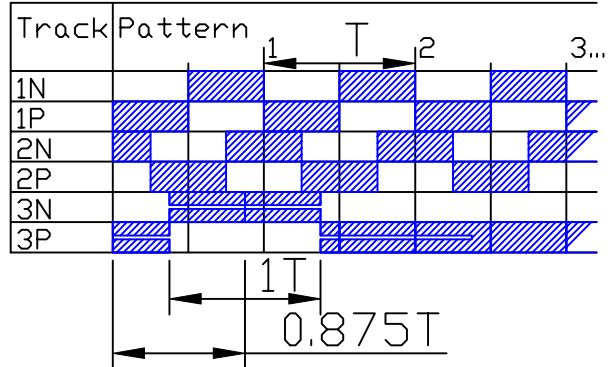


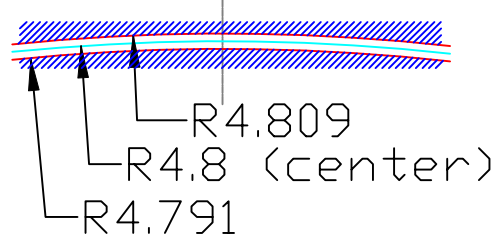
A Track Details



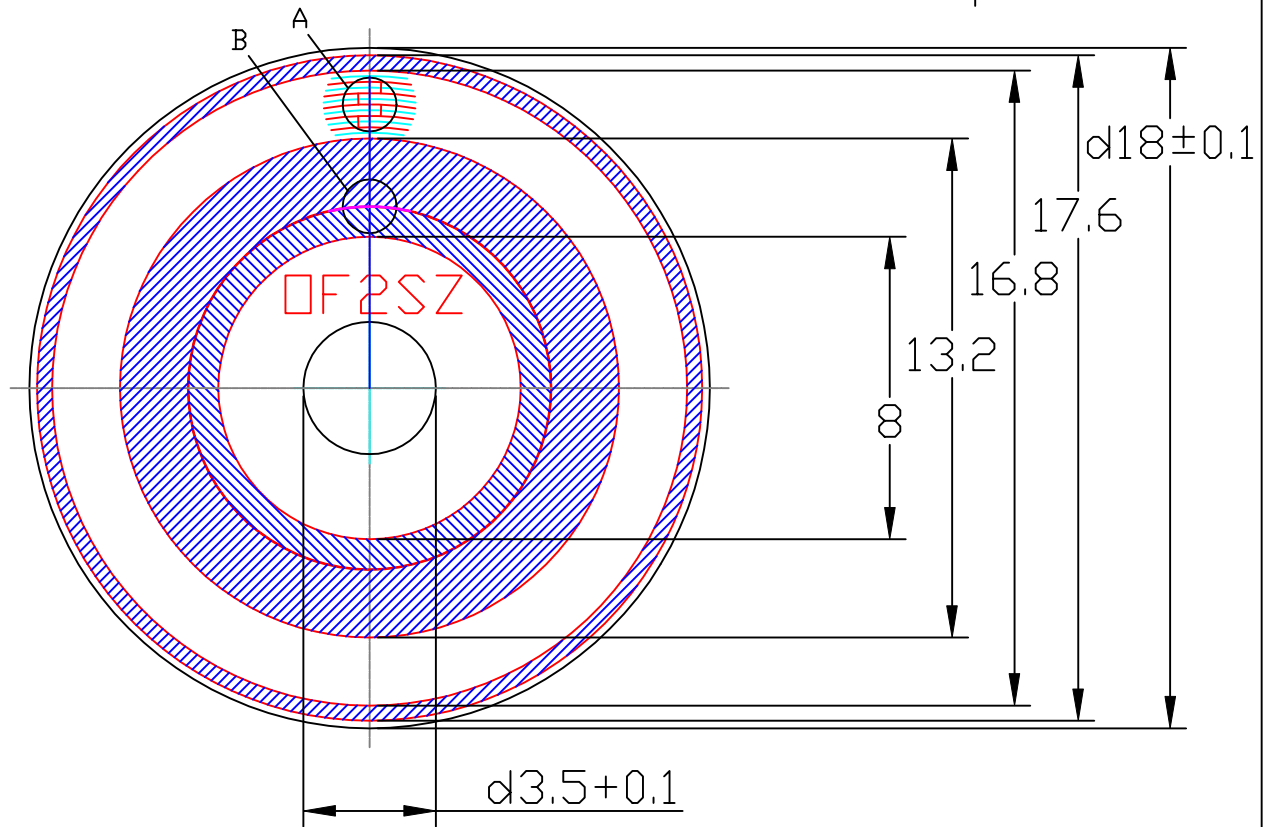
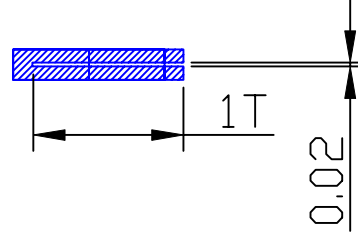
Track	PPR	Center Radius / Angle	
1N	1024	R1N= 8.25	W1N= 2.082565
1P	1024	R1P= 7.95	W1P= 2.161079
2N	1024	R2N= 7.65	W2N= 2.245743
2P	1024	R2P= 7.35	W2P= 2.337306
3N	1	R3N= 7.05	W3N= 2.436648
3P	1	R3P= 6.75	W3P= 2.544804



B Reference Circle



C Track3 Details (4x)



chrome side is top side



Code Disc OF2SZ

Glas 1.0mm thick

Date: 21.01.99

Scale 5:1

H:\ASSY\GLAS\OF2RZ