

LSHB2S 42-1024, LSHB2R

iC-LSHB Encoder Disc and Reticle Description

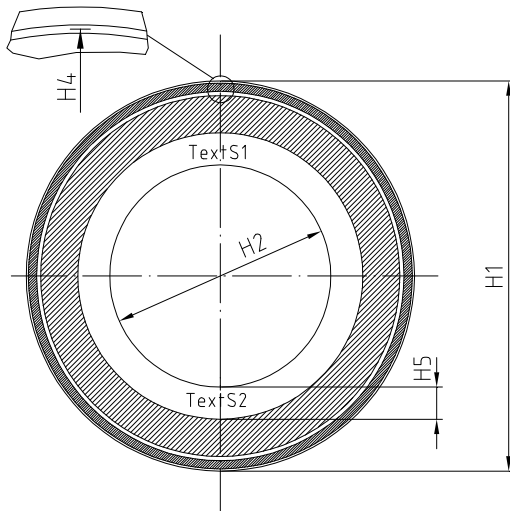


Rev A3, Page 1/2

ORDERING INFORMATION

Type	Order Designation	Description/Options
Encoder Disc	LSHB2S 42-1024	Incremental Code Disc A/B/Z 1024 PPR, dia 42 mm

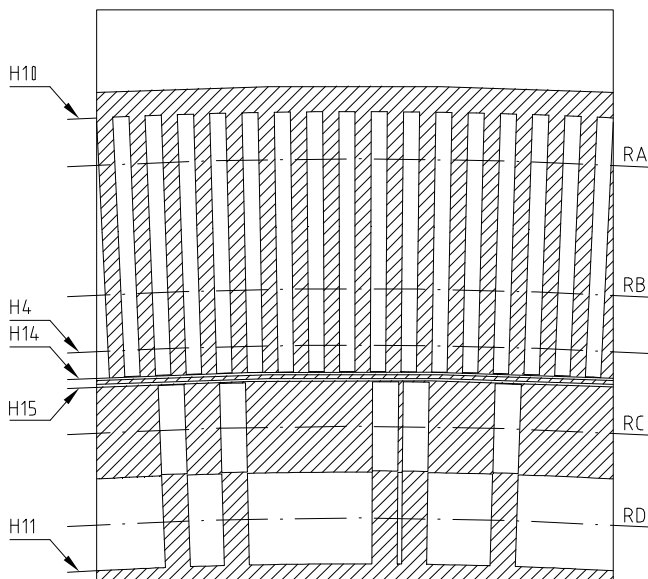
PHYSICAL DIMENSIONS



Design Example

Item	Parameter	Comments	[mm]	Tolerance
H1	Outer Diameter		42.0	$\pm 100 \mu\text{m}$
H2	Inner Diameter		18.0	$+ 200 \mu\text{m}$
H3	Thickness		1.0	$\pm 100 \mu\text{m}$
H4	Radius of Chip Center	referred to origin	19.71	
H5	Distance Pattern to Drill Hole		5.0	
H6	Code Track Eccentricity	referred to center of inner hole	± 0.2	
H7	TextS1	readable on side of pattern	LSHB2S	
H8	TextS2	readable on side of pattern	42-1024	

TRACK LAYOUT



Item	Parameter	Comments	[mm]
H4	Radius of Chip Center	referred to origin	19.71
H10	Code Pattern Radius	end	20.60
H11	Code Pattern Radius	begin	18.825
H12	Recommended LED Spot Diameter	LED Spot	> 3.2
H13	Recommended LED Spot Center	radius as center of illumination	19.71
H14	Alignment Circle	end of circle	19.680
H15	Alignment Circle	begin of circle	19.545
RA	Track Radius A/B		20.350
RB	Track Radius NA/NB		19.900
RC	Track Radius PZ		19.352
RD	Track Radius NZ		18.987

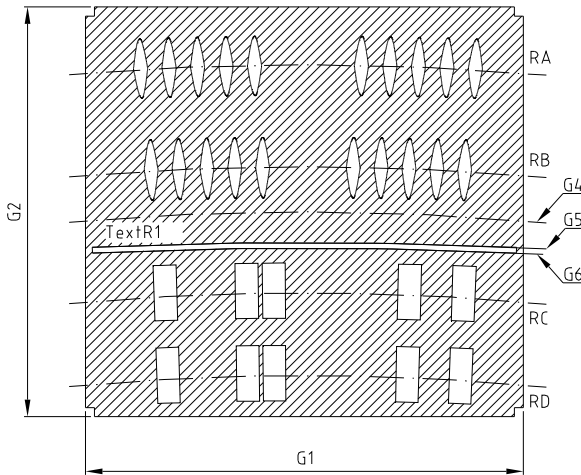
LSHB2S 42-1024, LSHB2R

iC-LSHB Encoder Disc and Reticle Description



Rev A3, Page 2/2

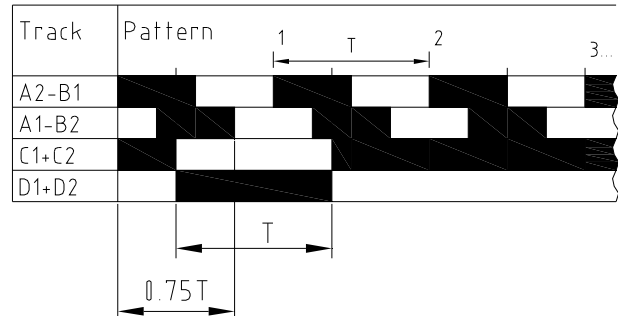
PHYSICAL DIMENSIONS: Reticle



Item	Parameter	Comments	[mm]
G0	Name and Design Release	LSHB2R	
G1	Width		1.90
G2	Height		1.98
G3	Thickness		0.50 ± 10%
G4	Radius of Chip Center	referred to origin	19.71
G5	Alignment Circle	end of circle	19.575
G6	Alignment Circle	begin of circle	19.550
G7	TextR1	readable on side of pattern	LSHB2R

TRACK ASSIGNMENT: Reticle

Output	Signal	Signal	Output
A1	1024 PPR PSIN	1024 PPR PCOS	A2
B1	1024 PPR NCOS	1024 PPR NSIN	B2
C1	1 PPR PZ	1 PPR PZ	C2
D1	1 PPR NZ	1 PPR NZ	D2



iC-Haus expressly reserves the right to change its products and/or specifications. An info letter gives details as to any amendments and additions made to the relevant current specifications on our internet website www.ichaus.com/infoletter; this letter is generated automatically and shall be sent to registered users by email. Copying – even as an excerpt – is only permitted with iC-Haus approval in writing and precise reference to source. iC-Haus does not warrant the accuracy, completeness or timeliness of the specification on this site and does not assume liability for any errors or omissions in the materials. The data specified is intended solely for the purpose of product description. No representations or warranties, either express or implied, of merchantability, fitness for a particular purpose or of any other nature are made hereunder with respect to information/specification or the products to which information refers and no guarantee with respect to compliance to the intended use is given. In particular, this also applies to the stated possible applications or areas of applications of the product. iC-Haus conveys no patent, copyright, mask work right or other trade mark right to this product. iC-Haus assumes no liability for any patent and/or other trade mark rights of a third party resulting from processing or handling of the product and/or any other use of the product. As a general rule our developments, IPs, principle circuitry and range of Integrated Circuits are suitable and specifically designed for appropriate use in technical applications, such as in devices, systems and any kind of technical equipment, in so far as they do not infringe existing patent rights. In principle the range of use is limitless in a technical sense and refers to the products listed in the inventory of goods compiled for the 2008 and following export trade statistics issued annually by the Bureau of Statistics in Wiesbaden, for example, or to any product in the product catalogue published for the 2007 and following exhibitions in Hanover (Hannover-Messe). We understand suitable application of our published designs to be state-of-the-art technology which can no longer be classed as inventive under the stipulations of patent law. Our explicit application notes are to be treated only as mere examples of the many possible and extremely advantageous uses our products can be put to.