

# LNB1S 42-1024, LNB1R

## iC-LNB Encoder Disc and Code Description

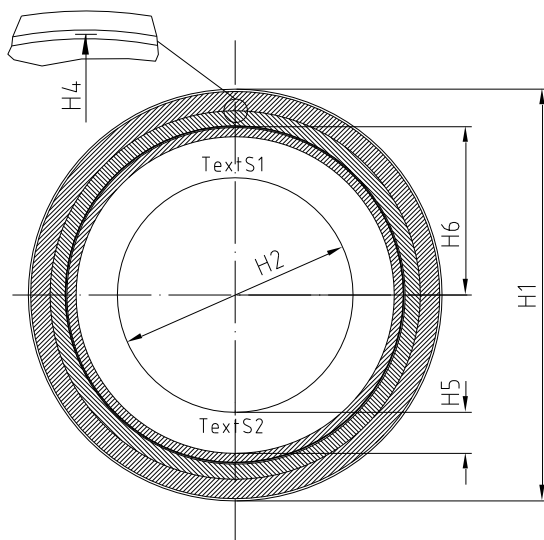


Rev A5, Page 1/2

### ORDERING INFORMATION

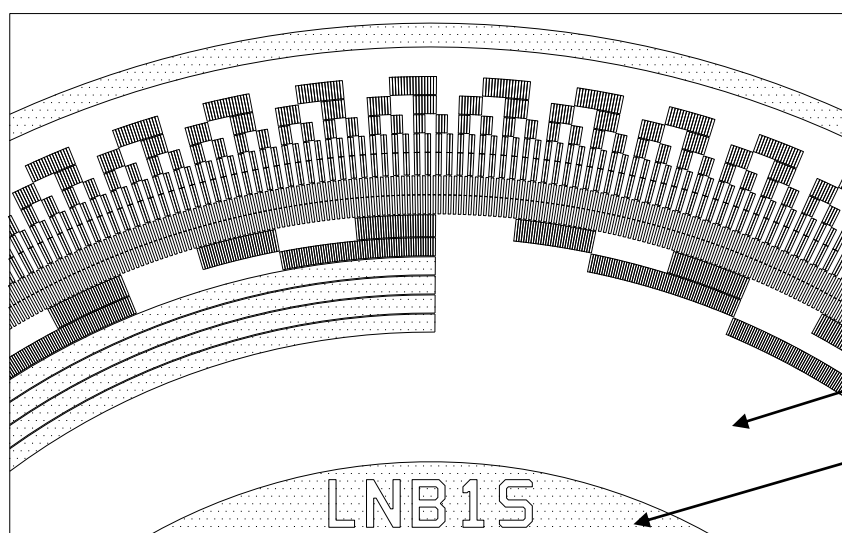
| Type               | Order Designation         | Description/Options   |
|--------------------|---------------------------|---|
| Encoder Disc       | LNB1S 42-1024             | Code Disc 1024 PPR, dia 42 mm   |
| System Description | LNB1RS_42-1024_SYSTEMDATA | For further description of assembly Autocad DXF data is available on request separately |

### PHYSICAL DIMENSIONS: Code Disc



| Item | Parameter                          | Comments                    | [mm]  | Tolerance |
|------|------------------------------------|-----------------------------|---|-----------|
| H1   | Outer Diameter                     |                             | 42.0  | ± 100 µm  |
| H2   | Inner Diameter                     |                             | 18.0  | + 200 µm  |
| H3   | Thickness                          |                             | 1   | ± 100 µm  |
| H4   | Radius of Chip Center              | referred to origin          | 17.40   |           |
| H5   | Distance Pattern to Drill Hole     |                             | 3.00  |           |
| H6   | Alignment Circle                   | end begin                   | 15.12 15.10 17.20 17.18 18.02 18.00 19.70 19.68 |           |
| H7   | Recommended LED Spot Center        |                             | 17.40   |           |
| H8   | Recommended LED Spot Diameter      |                             | 5.6   |           |
| H9   | Text S1                            | readable on side of pattern |   | LNB1S     |
| H10  | Text S2                            | readable on side of pattern |   | 42-1024   |
| H12  | Radius of Middle of SIN/COS Tracks |                             | 17.60   |           |

### TRACK LAYOUT: Code Disc



Chrome  
Free from Chrome

Chrome Side is Top Side

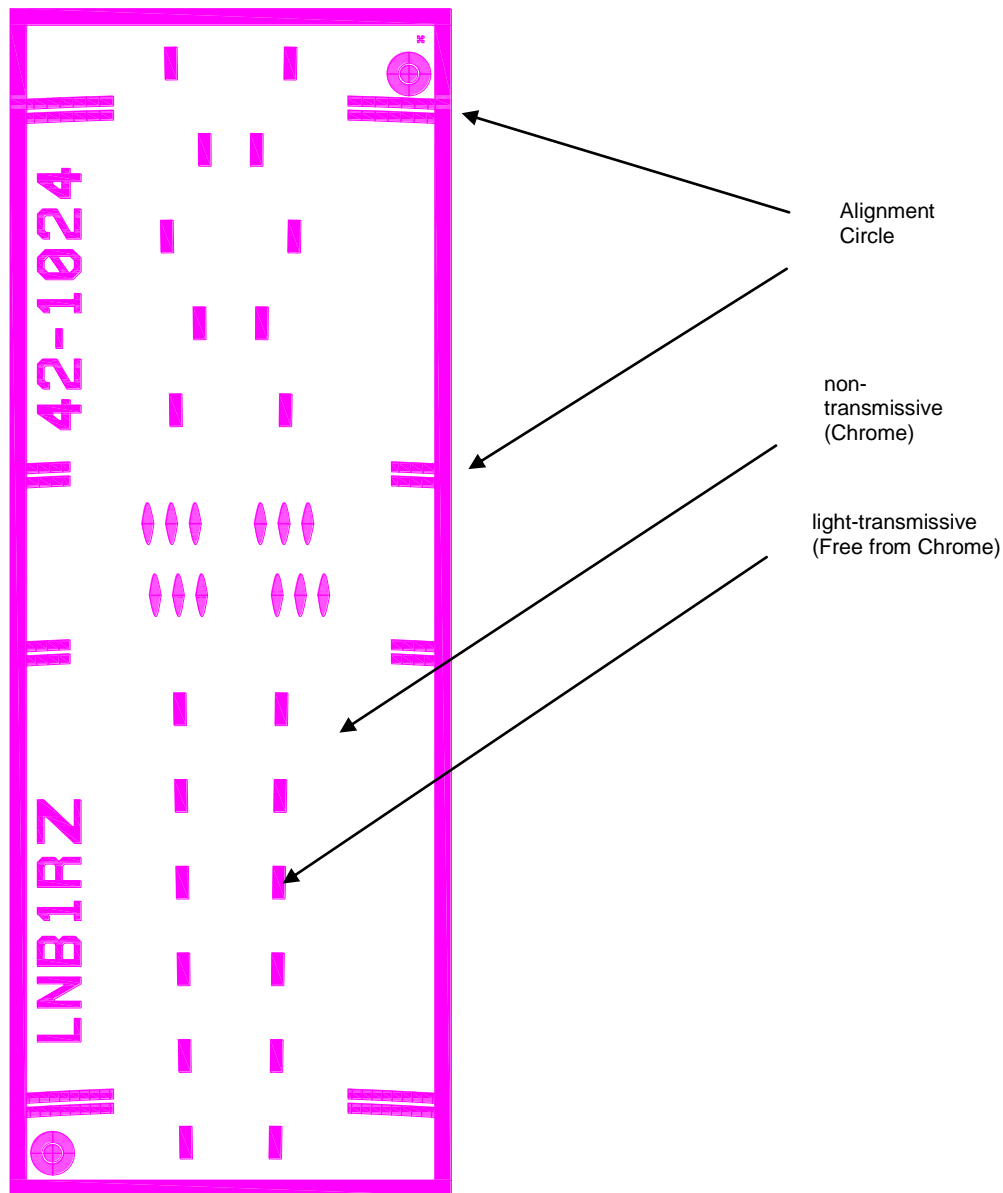
# LNB1S 42-1024, LNB1R

## iC-LNB Encoder Disc and Code Description



Rev A5, Page 2/2

### LAYOUT: Reticule



iC-Haus expressly reserves the right to change its products and/or specifications. An info letter gives details as to any amendments and additions made to the relevant current specifications on our internet website [www.ichaus.com/infoletter](http://www.ichaus.com/infoletter); this letter is generated automatically and shall be sent to registered users by email.

Copying – even as an excerpt – is only permitted with iC-Haus approval in writing and precise reference to source.

iC-Haus does not warrant the accuracy, completeness or timeliness of the specification on this site and does not assume liability for any errors or omissions in the materials. The data specified is intended solely for the purpose of product description. No representations or warranties, either express or implied, of merchantability, fitness for a particular purpose or of any other nature are made hereunder with respect to information/specification or the products to which information refers and no guarantee with respect to compliance to the intended use is given. In particular, this also applies to the stated possible applications or areas of applications of the product.

iC-Haus conveys no patent, copyright, mask work right or other trade mark right to this product. iC-Haus assumes no liability for any patent and/or other trade mark rights of a third party resulting from processing or handling of the product and/or any other use of the product.

As a general rule our developments, IPs, principle circuitry and range of Integrated Circuits are suitable and specifically designed for appropriate use in technical applications, such as in devices, systems and any kind of technical equipment, in so far as they do not infringe existing patent rights. In principle the range of use is limitless in a technical sense and refers to the products listed in the inventory of goods compiled for the 2008 and following export trade statistics issued annually by the Bureau of Statistics in Wiesbaden, for example, or to any product in the product catalogue published for the 2007 and following exhibitions in Hanover (Hannover-Messe).

We understand suitable application of our published designs to be state-of-the-art technology which can no longer be classed as inventive under the stipulations of patent law. Our explicit application notes are to be treated only as mere examples of the many possible and extremely advantageous uses our products can be put to.